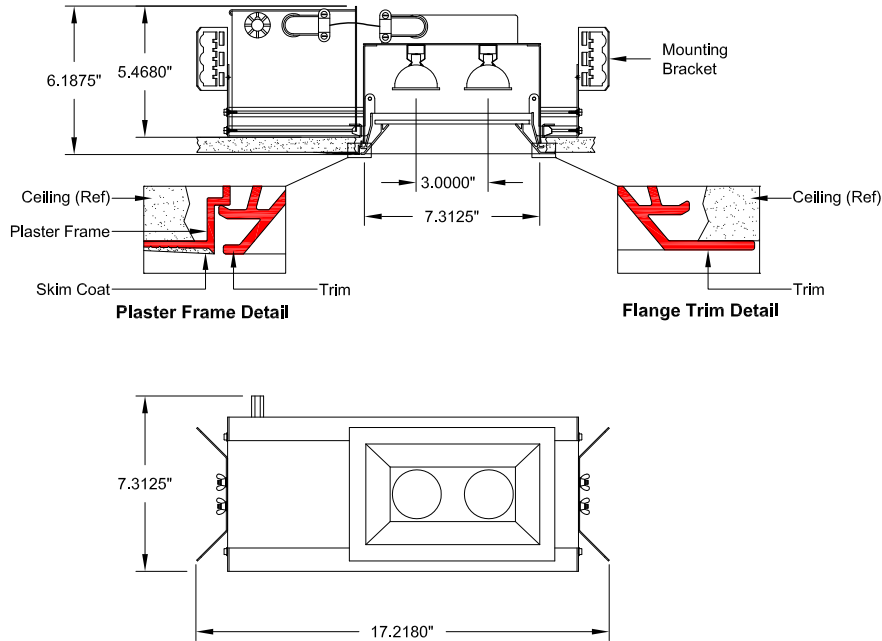


Downlight, Splay Aperture with Regressed Lens



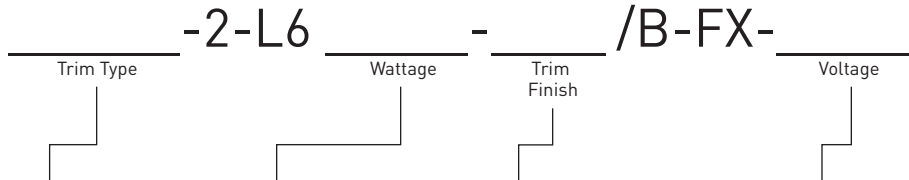
MR16 LED



Ceiling Cut-out : 5.0000" x 8.0000"

Trim Flange : 5.5625" x 8.5625"

Aperture: 4.3125" x 7.3125"



Trim Type	Wattage	Trim Finish	Voltage
<input type="checkbox"/> VSP Plaster	Consult factory for Lamp to Transformer/Driver compatibility	<input type="checkbox"/> W White	<input type="checkbox"/> 1 (120V)
<input type="checkbox"/> VSF Flange		<input type="checkbox"/> B Black	<input type="checkbox"/> 2 (277V)

Description

Recessed downlight fixture with splay aperture and regressed lens. Fixed lampholders. Two MR16 LED lamps. Flanged or plaster frame trim.

Features

- Below ceiling access to the transformer/driver and wiring.
- Plaster frame trim provides 0.062" reveal to minimize skim coat cracking.
- Integral Thermal Protection.

Fixture Specifications

Dimensions: 17.218"L x 7.312"W x 5.468"H
 Weight: Approx. 12 lbs.
 Ceiling Cutout: 8"L x 5"W

Electrical

- Ambient temperature 100 °F. maximum.
- Integral toroidal transformer/driver.
- Through branch wiring capable.

Mounting

Universal mounting brackets included.
 Contact factory for special ceiling conditions.

Options (Consult factory)

- Lenses: Page 2

Photometry: Consult factory



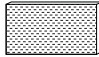

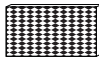

All designs and scaled drawings shall remain the property of STARFIRE LIGHTING, INC., and may not be reproduced or transmitted without expressed written consent. STARFIRE LIGHTING, INC. reserves the right to make changes on approved designs to facilitate manufacturing methods to the extent that such changes do not compromise design integrity.

VS-2-L6

Job Name:

Fixture Type:

Lens Options

	Lenses		Cat. No.
<input type="checkbox"/>		Solite Spread Lens	S0
<input type="checkbox"/>		Frosted Solite Spread Lens	FS
<input type="checkbox"/>		Prismatic Spread Lens	PR
<input type="checkbox"/>		Frosted Prismatic Spread Lens	FP

For other lens options, consult factory.