

# 2" VersaLux LED Recessed Curve Slot

LED

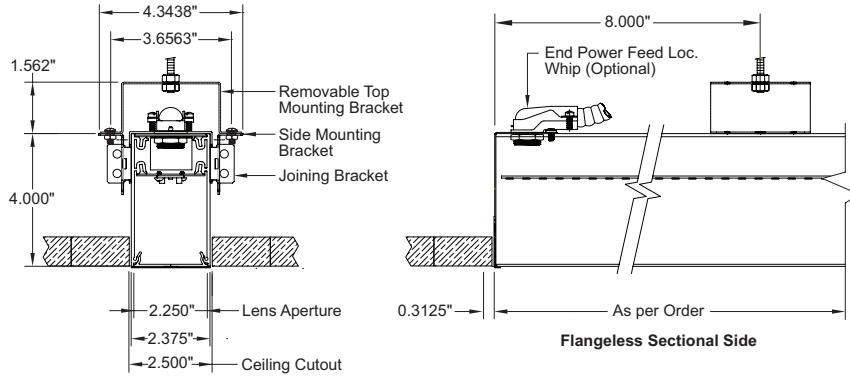


LED Curve Slot – Low Profile  
with Flush Snap-in Lens

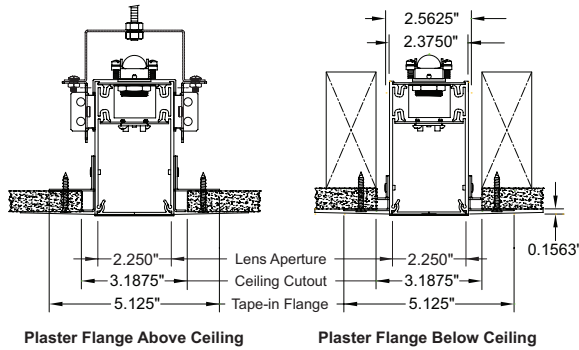
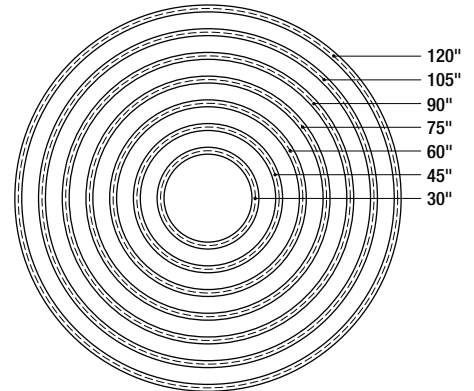
CVL2 LED

Job Name

Fixture Type

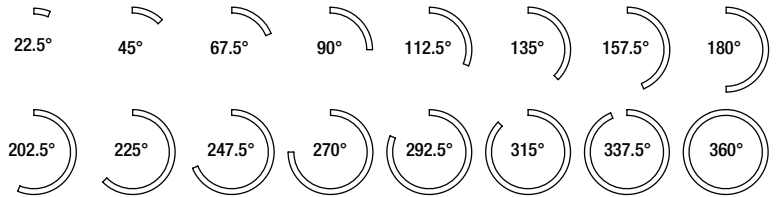


**Standard Radius**  
Measured to Center Line of Fixture



**Standard Arcs**

Available in all Radii including Full Circle



## Curve Slot Segment Order Guide

CRI	Color Temp	Output	Dimming	Radius (")	Arc (°)	Ceiling Trim	Segment	Whip
8 80+	27 2700K	S Std.	S Std. 0-10V 1%	30 45	22.5 45 67.5	PA Plaster Flange Above Ceiling	B Beginning	N No Whip
9 90+	30 3000K	H High	H ECO 1%	60 75	90 112.5 135	PB Plaster Flange Below Ceiling	M Middle	W Standard Whip
	35 3500K	M Max.	D DALI 1%	90 105	157.5 180 202.5	X Flangeless	E End	C Chicago Whip
	40 4000K	Custom: Specify Lm/Ft <sup>(1)</sup>	P POE <sup>(1)</sup>	120	225 247.5 270		S Stand alone	
	TW 2700K-6500K		W Wireless <sup>(1)</sup>	Custom: (24" & Up)	292.5 315 337.5			
					360 Custom: Cxxx			

Product Code Example: CVL2-L830HS-30-45-PA-B-W-N

## Linear Slot Segment Order Guide (if needed)

CRI	Color Temp	Output	Dimming	Length (")	Ceiling Trim	Segment	Whip
8 80+	27 2700K	S Std.	S Std. 0-10V 1%	Nominal:	PA Plaster Flange Above Ceiling	B Beginning	N No Whip
9 90+	30 3000K	H High	H ECO 1%	24 36 48	PB Plaster Flange Below Ceiling	M Middle	W Standard Whip
	35 3500K	M Max.	D DALI 1%	60 72 84	X Flangeless	E End	C Chicago Whip
	40 4000K	Custom: Specify Lm/Ft <sup>(1)</sup>	P POE <sup>(1)</sup>	96 (see Table)			
	TW 2700K-6500K		W Wireless <sup>(1)</sup>	Custom: (in inches)			

Product Code Example: VL2-CL830SH-72-PA-M-W-N

<sup>(1)</sup> Specify – Factory to confirm



STARFIRE LIGHTING, INC.  
7 Donna Drive, Wood-Ridge, NJ 07075  
starfirelighting.com

P 201.438.9540  
F 201.438.9541

All designs and drawings are the property of STARFIRE LIGHTING, INC. We reserve the right to make changes to specifications and approved designs at any time without notice to facilitate manufacturing methods to the extent that such changes do not compromise design integrity. All performance specifications are subject to +/- 10% deviation.

# VersaLux LED Recessed Curve Slot – Flush Snap-in Lens

## CVL2 LED

Recessed LED Curve Slots easily join with our linear recessed slots to create virtually any illuminated shape or pattern. Curve Slots utilize high performance LED boards and flush snap-in diffusion lenses.

### Features

- Starfire's proprietary EvenGlow™ system provides uniform illumination from end-to-end without lamp imaging, bright spots or shadows
- Seven standard radii from 30"–120"
- Custom radii from 24" and up
- Small standard arc increments 22.5°–360° allow for the creation of virtually any curved shape
- Custom arcs at any angle
- Seamlessly joins to Starfire 2" linear slots and X, T, & L shaped slot connectors with matching lens illumination and dimming
- Exceptional lumen per watt efficiency
- High efficiency, low cost, Tunable White option
- High performance acrylic flush snap-in lens

### Fixture Specifications

- Housing/Trim: Heavy-duty extruded aluminum
- Finish: White (std), custom available
- Weight: Approx. 3.2 lbs. per linear foot
- UL Listed, (indoor non-condensing) & CCEA Approved

### Electrical

- Power consumption: Per specification based on LED configuration
- Input Voltage: 120-277V universal driver
- Ambient operating range: -4 °F to +100 °F
- Integral electronic drivers
- Integral wiring bus between fixture sections
- Drivers with full dimming range at any output choice
- 1% Dimming: 0-10V standard (included), consult factory for other options

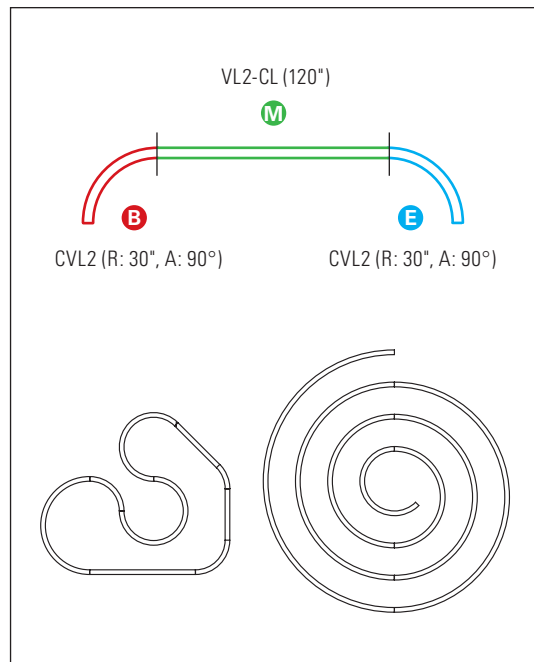
### Mounting

- Universal mounting brackets provided. Contact factory for alternate mounting
- Easy Access wiring compartment – all connections can be made without disassembling the fixture. 7/8" knockouts provided for top or end.
- Consult factory for multi-segment fixtures

### Options (Consult factory)

- 6 ft armored whip, may be factory installed
- Occupancy sensor, daylight control module
- HVAC, fire sprinkler, surveillance or public address systems integration
- EM pack in 4ft segments. Delivers 800+ total lumens for 90 mins. May be remote in tight radius curves, consult factory
- Wireless controls

### Multi-Segment Examples



### Segment Key

- B** Beginning - Starts with End Cap
- M** Middle - No End Cap
- E** End - Ends with End Cap
- S** Stand Alone - Ends Cap both Ends

BEGINNING to END is always clockwise on a segment

### Straight Segment Overall Length

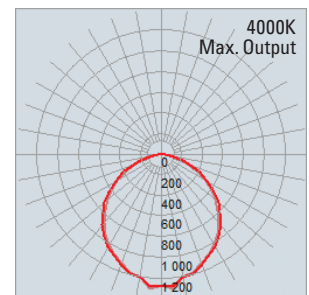
Nominal	Actual
24"	23.5"
36"	34.5"
48"	45.5"
60"	56.5"
72"	72"
84"	84"
96"	95"

Consult factory for fixture installation dimensions

### LED Strip

High output edge-to-edge and end-to-end illumination

- Choice of lumen output levels: Standard, High, Maximum and Custom (between 200 and 800 Lm/Ft)
- LED Efficiency: Up to 160 Lm/Wt at Maximum output and 180 Lm/Wt at Standard power (at 80+ CRI)
- L70: 50,000+ hours at Maximum output
- 2700K, 3000K, 3500K, 4000K and Tunable White: 2700K-6500K
- CRI: 80+ or 90+
- Color Consistency: Equal or better than 3 SCDM with chip mixing
- UL Listed, (indoor non-condensing)
- 5 year limited warranty\*



Output Setting	Lm/Ft	4000K		3500K		3000K		2700K	
		Wt/Ft	Lm/Wt	Wt/Ft	Lm/Wt	Wt/Ft	Lm/Wt	Wt/Ft	Lm/Wt
<b>S</b> Standard	<b>400</b>	4.2	96.1	4.2	94.2	4.4	90.3	5.0	79.6
<b>H</b> High	<b>700</b>	7.8	89.7	8.0	87.7	8.3	83.9	9.8	71.6
<b>M</b> Maximum	<b>800</b>	9.1	87.5	9.3	85.6	9.8	81.8	11.6	68.9

Performance for nominal 4 foot length or greater (Std. 6ft)

\* See Starfire website for Product Limited Warranty



STARFIRE LIGHTING, INC.  
7 Donna Drive, Wood-Ridge, NJ 07075  
starfirelighting.com

P 201.438.9540  
F 201.438.9541

All designs and drawings are the property of STARFIRE LIGHTING, INC. We reserve the right to make changes to specifications and approved designs at any time without notice to facilitate manufacturing methods to the extent that such changes do not compromise design integrity. All performance specifications are subject to +/- 10% deviation.