

4" VersaLux LED Curve Pendant – Direct/Indirect

LED

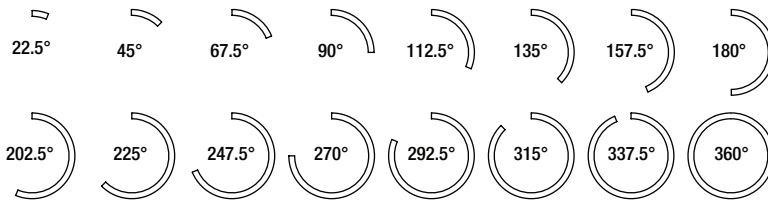
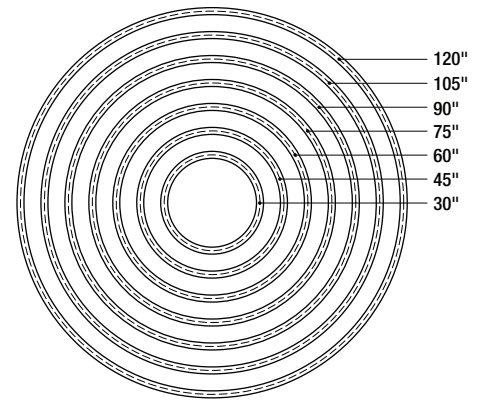
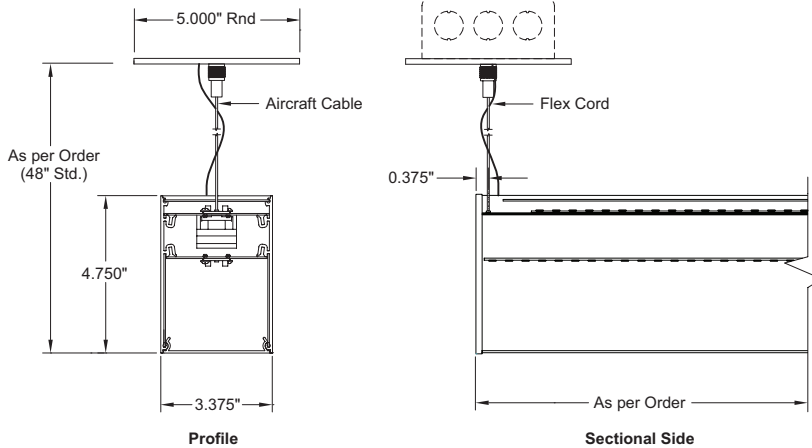


LED Curve Pendant – Direct/Indirect with Flush Snap-in Lens

CPH4 LED

Job Name

Fixture Type



Standard Arcs

Available in all Radii including Full Circle

Standard Radius

Measured to Center Line of Fixture

Curved Pendant Segment Order Guide

CPH4-L	DIRECT			INDIRECT			Dimming ⁽²⁾	Radius (")	Arc (°)	Segment
	CRI	Color Temp	Output	CRI	Color Temp	Output				
	8 80+ 9 90+ ⁽¹⁾	27 2700K 30 3000K 35 3500K 40 4000K TW 2700K-6500K	S Std. H High M Max. Custom: Specify Lm/Ft ⁽¹⁾	8 80+ 9 90+ ⁽¹⁾	27 2700K 30 3000K 35 3500K 40 4000K TW 2700K-6500K	S Std. H High M Max. Custom: Specify Lm/Ft ⁽¹⁾	S Std. 0-10V (1%) E Lutron 5 Series (5%) H Lutron Hi-Lume (1%) D Dali (1%) W Wireless ⁽³⁾	30 45 60 75 90 105 120 Custom: (24" & Up)	22.5 45 67.5 90 112.5 135 157.5 180 202.5 225 247.5 270 292.5 315 337.5 360 Custom: Cxxx	B Beginning M Middle E End S Stand alone

Product Code Example: CPH4-L830HS-830HS-30-45-B-W

Linear Pendant Segment Order Guide (if needed)

PH4-CL	DIRECT			INDIRECT			Dimming ⁽²⁾	Length (inches)	Segment
	CRI	Color Temp	Output	CRI	Color Temp	Output			
	8 80+ 9 90+ ⁽¹⁾	27 2700K 30 3000K 35 3500K 40 4000K TW 2700K-6500K	S Std. H High M Max. Custom: Specify Lm/Ft ⁽¹⁾	8 80+ 9 90+ ⁽¹⁾	27 2700K 30 3000K 35 3500K 40 4000K TW 2700K-6500K	S Std. H High M Max. Custom: Specify Lm/Ft ⁽¹⁾	S Std. 0-10V (1%) E Lutron 5 Series (5%) H Lutron Hi-Lume (1%) D Dali (1%) W Wireless ⁽³⁾	Nominal: 24 36 48 60 72 84 96 (see Table) Custom: Cxxx (in inches)	B Beginning M Middle E End

Product Code Example: PH4-CL830H-830HS-C120-B-W

⁽¹⁾Factory to confirm availability. ⁽²⁾For high performance dimming below 125 lm/ft, contact factory. ⁽³⁾Specify wireless system.



STARFIRE LIGHTING, INC.
7 Donna Drive, Wood-Ridge, NJ 07075
starfirelighting.com

P 201.438.9540
F 201.438.9541

All designs and drawings are the property of STARFIRE LIGHTING, INC. We reserve the right to make changes to specifications and approved designs at any time without notice to facilitate manufacturing methods to the extent that such changes do not compromise design integrity. All performance specifications are subject to +/- 10% deviation.

VersaLux LED Direct/Indirect Curve Pendant – Flush Snap-in Lens

CPH4 LED

LED Direct/Indirect Curve Pendants easily join with our linear direct/indirect pendants to create virtually any illuminated shape or pattern. Curve pendants utilize high performance LED boards and flush snap-in diffusion lenses in the direct compartment. Clear lenses standard for indirect.

Features

- Starfire's proprietary EvenGlow™ system provides uniform illumination from end-to-end without lamp imaging, bright spots or shadows
- Seven standard radii from 30°–120°
- Custom radii from 24" and up
- Small standard arc increments 22.5°–360° allow for the creation of virtually any curved shape
- Custom arcs at any angle
- Seamlessly joins to Starfire 4" linear direct/indirect pendants and X, T, & L shaped pendant connectors with matching lens illumination and dimming
- Exceptional lumen per watt efficiency
- High efficiency, low cost, Tunable White option

Fixture Specifications

- Housing/Trim: Heavy-duty extruded aluminum
- Finish: White (std), custom available
- Weight: Approx. 4.8 lbs. per linear foot
- UL Listed, (indoor non-condensing)

Electrical

- Power consumption: Per specification based on LED configuration
- Input Voltage: 120-277V universal driver
- Ambient operating range: -4 °F to +100 °F
- Integral electronic drivers
- Integral wiring bus between fixture sections
- Drivers with full dimming range at any output choice
- 1% Dimming: 0-10V standard (included), consult factory for other options

Mounting

- Round canopies (std), square available. Contact factory for special ceiling conditions
- Cable mounting location 0.375" from end of fixture
- Consult factory for multi-segment fixtures

Options (Consult factory)

- Occupancy sensor, daylight control module
- EM pack in 4ft segments. Delivers 800+ total lumens for 90 mins. May be remote in tight radius curves, consult factory
- Wireless controls

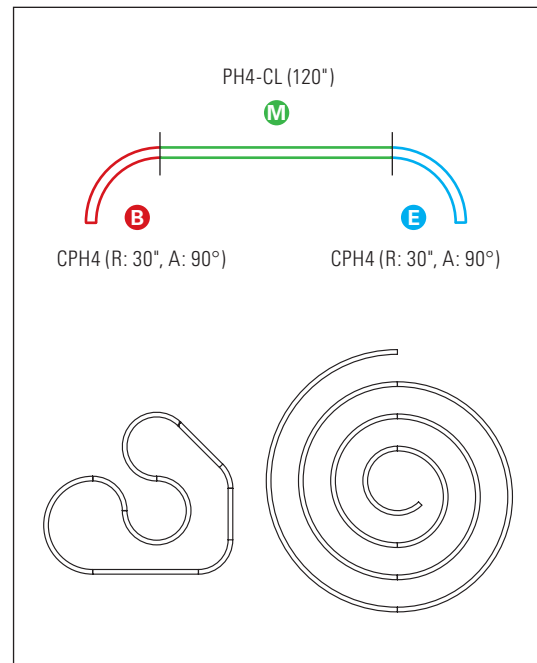
LED Strip

High output, edge-to-edge and end-to-end illumination

- Choice of lumen output levels: Standard, High, Maximum and Custom (between 300 and 900 Lm/Ft)
- LED efficiency: Up to 160 Lm/Wt at Maximum output and 180 Lm/Wt at Standard power (at 80+ CRI)
- L70: 50,000+ hours at Maximum output
- 2700K, 3000K, 3500K, 4000K and Tunable White: 2700K-6500K
- CRI: 80+ or 90+
- Color consistency: Equal or better than 3 SCDM with chip mixing
- UL Listed, (indoor non-condensing)
- 5 year limited warranty*

* See Starfire website for Product Limited Warranty

Multi-Segment Examples



Segment Key

- B** Beginning - Starts with End Cap
- M** Middle - No End Cap
- E** End - Ends with End Cap
- S** Stand Alone - Ends Cap both Ends

BEGINNING to END is always clockwise on a segment

Straight Segment Overall Length

Nominal	Actual
24"	23.5"
36"	34.5"
48"	45.5"
60"	56.5"
72"	72"
84"	84"
96"	95"

Consult factory for fixture installation dimensions

Curve Segment Efficacy

Direct - Diffusion Lens

Output Setting	Lm/Ft	4000K		3500K		3000K		2700K	
		Wt/Ft	Lm/Wt	Wt/Ft	Lm/Wt	Wt/Ft	Lm/Wt	Wt/Ft	Lm/Wt
S Standard	500	4.8	103.4	4.9	101.3	5.2	97.1	5.9	85.1
H High	750	7.7	98.0	7.8	95.9	8.2	91.7	9.6	78.4
M Maximum	900	9.5	94.8	9.7	92.7	10.2	88.5	12.1	74.4

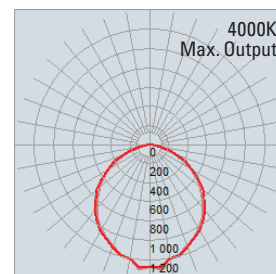
Performance for nominal 4 foot length or greater (Std. 6ft)

Indirect - Clear Lens

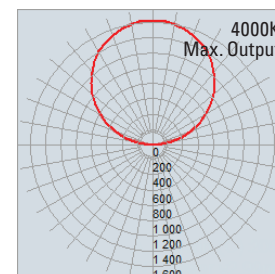
Output Setting	Lm/Ft	4000K		3500K		3000K		2700K	
		Wt/Ft	Lm/Wt	Wt/Ft	Lm/Wt	Wt/Ft	Lm/Wt	Wt/Ft	Lm/Wt
S Standard	490	3.2	153.0	3.3	150.0	3.4	144.0	3.8	128.0
H High	800	5.5	146.3	5.6	143.3	5.8	137.8	6.7	119.7
M Maximum	1100	7.9	139.9	8.0	136.9	8.4	130.9	9.8	111.7

Performance for nominal 4 foot length or greater (Std. 6ft)

Direct - Diffusion Lens



Indirect - Clear Lens



STARFIRE LIGHTING, INC.
7 Donna Drive, Wood-Ridge, NJ 07075
starfirelighting.com

P 201.438.9540
F 201.438.9541

All designs and drawings are the property of STARFIRE LIGHTING, INC. We reserve the right to make changes to specifications and approved designs at any time without notice to facilitate manufacturing methods to the extent that such changes do not compromise design integrity. All performance specifications are subject to +/- 10% deviation.