

6" VersaLux LED Slot

LED

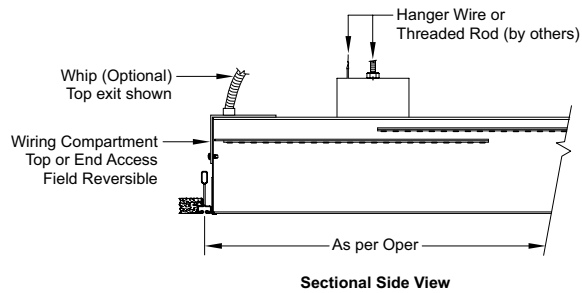
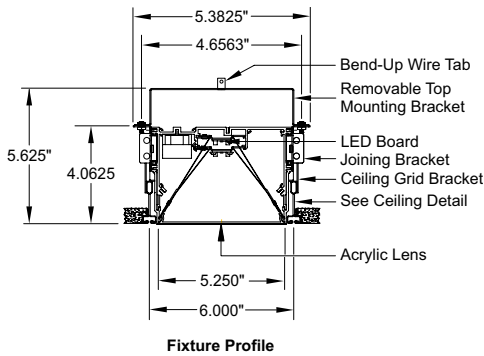


Linear LED Slot
with Flush Snap-in Lens

VL6 LED

Job Name

Fixture Type



Ceiling Trim Detail

Plaster Trim		Flange Trim		Grid Trim				
Plaster Flange Above Ceiling: PA	Plaster Flange Below Ceiling: PB	1/2 Flange Trim: F2	1 Flange Trim: F1	Donn Fineline Armstrong Bolt: X9	TechZone 9/16 Suprafine: X9	TechZone 15/16 Prelude: X1	TechZone 9/16 Interlude: X9	Decoustic or Architectural: X9

VL6-L							-W-
CRI	Color Temp	Output	Dimming†	Length (inches)	Ceiling Trim	Whip	
8 80+ 9 90+*	27 2700K 30 3000K 35 3500K 40 4000K TW 2700K-6500K	S Std. H High M Max. Custom: Specify Lm/Ft**	S Std. 0-10V (1%) E Lutron 5 Series (5%) H Lutron Hi-Lume (1%) D Dali (1%) W Wireless**	Nominal: 24 36 48 60 72 84 96 (see Page 3) Custom: xxx (in inches)	PA Plaster Flange Above PB Plaster Flange Below F1 Flange 1" F2 Flange 1/2" X9 9/16 Grid Trim X1 15/16 Grid Trim	N No Whip W Standard Whip C Chicago Whip	

Product Code Example: VL6-L830HE-120-X9-W-N

Linear flush lens slot fixture utilizing high performance LED boards, snap-in lenses and full reflectors. Available with plaster, flange or grid trim options.

Features

- Starfire's proprietary EvenGlow™ system provides uniform illumination from end-to-end without lamp imaging, bright spots or shadows at any length
- Fixtures fabricated to any length without custom engineering
- Exceptional lumen per watt efficiency
- High efficiency, low cost, dynamic Tunable White option
- High performance acrylic flush snap-in lens
- Future proof LED boards sourced from world's leading suppliers
- Quick-Connect lighting modules plug together

Fixture Specifications

- Housing/Trim: Heavy-duty extruded aluminum
- Finish: White (std), custom available
- Weight: Approx. 3.7 lbs. per linear foot
- Fixtures are UL and CCEA Chicago Plenum Approved

LED Specifications/Photometry: Page 2

Electrical

- Power consumption: Per specification based on LED configuration
- Input Voltage: 120-277V universal driver
- Ambient temperature: 100 °F maximum
- Integral electronic drivers
- Integral wiring buss between fixture sections
- Drivers with full dimming range at any output choice
- 1% Dimming: 0-10V standard (included), consult factory for other options

Mounting

- Mounting brackets provided. Contact factory for alternate mounting
- Easy Access wiring compartment – all connections can be made without disassembling the fixture. 7/8" knockouts provided for top or end.

Ceiling Cutout: Refer to Page 3

Options (Consult factory)

- 6 ft armored whip, may be factory installed
- Occupancy sensor, daylight control module
- EM pack in 4ft segments. Delivers 800+ total lumens for 90 mins. Specify location (+/- 2ft) at time of order
- HVAC, fire sprinkler, surveillance or public address systems integration

* Factory to confirm availability

** Specify wireless system

† For high performance dimming below 125 lm/ft, contact factory



STARFIRE LIGHTING, INC.
7 Donna Drive, Wood-Ridge, NJ 07075
starfirelighting.com

P 201.438.9540
F 201.438.9541

All designs and scaled drawings shall remain the property of STARFIRE LIGHTING, INC., and may not be reproduced or transmitted without expressed written consent. STARFIRE LIGHTING, INC., reserves the right to make changes on approved designs to facilitate manufacturing methods to the extent that such changes do not compromise design integrity.

VersaLux LED Slot, Flush Snap-in Lens

VL6 LED

LED Strip

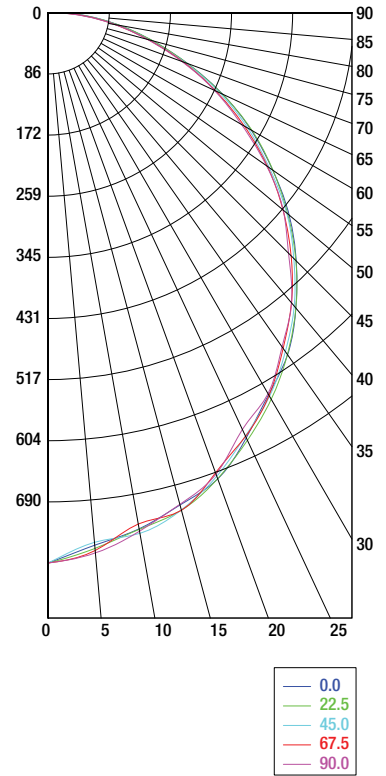
High output edge-to-edge, end-to-end illumination

- Choice of lumen output levels:
 - S:** Standard
 - H:** High
 - M:** Maximum
 - C:** Custom (between 400 and 1000 Lm/Ft)
- LED Efficiency: Up to 160 Lm/Wt at Maximum output and 180 Lm/Wt at Standard power (at 80+ CRI)
- L70: 50,000+ hours at Maximum output
- 2700K, 3000K, 3500K, 4000K and Tunable White: 2700K-6500K
- CRI: 80+ or 90+
- Color Consistency: Equal or better than 3 SCDM with chip mixing
- UL Listed
- 5 year limited warranty*



Linear Photometrics

4000K



Fixture Efficacy

Output Setting (4000K)	Source			Delivered		
	Lm/Ft	Wt/Ft	Lm/Wt	Lm/Ft	Wt/Ft	Lm/Wt
S Standard	647	4.3	151	549	4.8	113
H High	1116	8.0	138	947	9.1	103
M Maximum	1186	8.7	137	1006	9.8	102

* See Starfire website for Product Limited Warranty

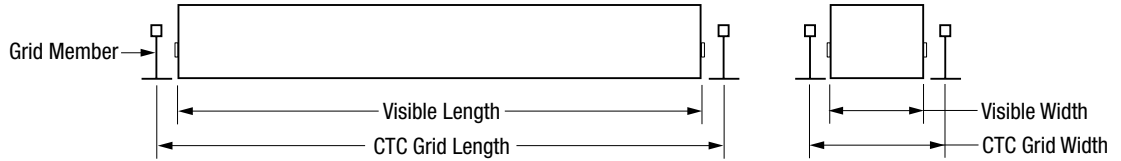


STARFIRE LIGHTING, INC.
7 Donna Drive, Wood-Ridge, NJ 07075
starfirelighting.com

P 201.438.9540
F 201.438.9541

All designs and scaled drawings shall remain the property of STARFIRE LIGHTING, INC., and may not be reproduced or transmitted without expressed written consent. STARFIRE LIGHTING, INC., reserves the right to make changes on approved designs to facilitate manufacturing methods to the extent that such changes do not compromise design integrity.

Grid Ceiling Dimensions



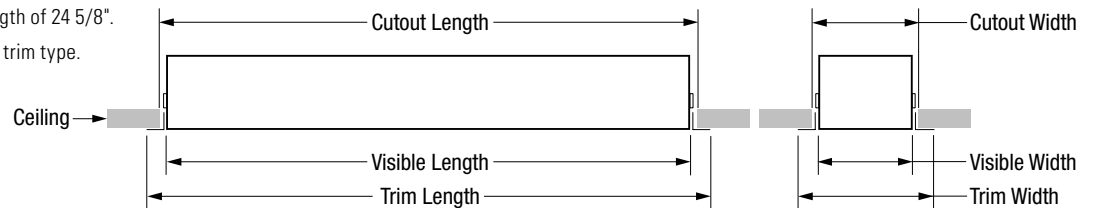
Order CTC Grid Length	9/16", Don Fineline, Decoustic			15/16"		
	Visible Length	Visible Width	CTC Grid Width	Visible Length	Visible Width	CTC Grid Width
24"	23 3/8"	5 3/8"	6"	23"	5 3/8"	6 3/8"
30"	29 3/8"	5 3/8"	6"	29"	5 3/8"	6 3/8"
36"	35 3/8"	5 3/8"	6"	35"	5 3/8"	6 3/8"
48"	47 3/8"	5 3/8"	6"	47"	5 3/8"	6 3/8"
60"	59 3/8"	5 3/8"	6"	59"	5 3/8"	6 3/8"
72"	71 3/8"	5 3/8"	6"	71"	5 3/8"	6 3/8"
84"	83 3/8"	5 3/8"	6"	83"	5 3/8"	6 3/8"
90"	89 3/8"	5 3/8"	6"	89"	5 3/8"	6 3/8"
96"	95 3/8"	5 3/8"	6"	95"	5 3/8"	6 3/8"

Custom Fixture Length Example:

A 24" Nominal Order Length yields a 23 3/8" Visible Length.

For a 24" Visible Length, order a Custom Length of 24 5/8".

See charts below for length adjustments per trim type.



Solid Ceiling Dimensions

Nominal Order Length	Visible Length	Visible Width	Plaster Flange				1" Flange			
			Trim Length	Trim Width	Cutout Length	Cutout Width	Trim Length	Trim Width	Cutout Length	Cutout Width
24"	23 3/8"	5 3/8"	26 3/32"	8 3/32"	24 1/4"	6 1/4"	25 1/8"	7 1/8"	24 1/4"	6 1/4"
30"	29 3/8"	5 3/8"	32 3/32"	8 3/32"	30 1/4"	6 1/4"	31 1/8"	7 1/8"	30 1/4"	6 1/4"
36"	35 3/8"	5 3/8"	38 3/32"	8 3/32"	36 1/4"	6 1/4"	37 1/8"	7 1/8"	36 1/4"	6 1/4"
48"	47 3/8"	5 3/8"	50 3/32"	8 3/32"	48 1/4"	6 1/4"	49 1/8"	7 1/8"	48 1/4"	6 1/4"
60"	59 3/8"	5 3/8"	62 3/32"	8 3/32"	60 1/4"	6 1/4"	61 1/8"	7 1/8"	60 1/4"	6 1/4"
72"	71 3/8"	5 3/8"	74 3/32"	8 3/32"	72 1/4"	6 1/4"	73 1/8"	7 1/8"	72 1/4"	6 1/4"
84"	83 3/8"	5 3/8"	86 3/32"	8 3/32"	84 1/4"	6 1/4"	85 1/8"	7 1/8"	84 1/4"	6 1/4"
90"	89 3/8"	5 3/8"	92 3/32"	8 3/32"	90 1/4"	6 1/4"	91 1/8"	7 1/8"	90 1/4"	6 1/4"
96"	95 3/8"	5 3/8"	98 3/32"	8 3/32"	96 1/4"	6 1/4"	97 1/8"	7 1/8"	96 1/4"	6 1/4"
Custom Order Length	Order Length - 5/8"	5 3/8"	Order Length + 2 3/32"	8 3/32"	Order Length + 1/4"	6 1/4"	Order Length + 1 1/8"	7 1/8"	Order Length + 1/4"	6 1/4"

Nominal Order Length	Visible Length	Visible Width	1/2" Flange				Grid Trim (No Flange)*			
			Trim Length	Trim Width	Cutout Length	Cutout Width	Trim Length	Trim Width	Cutout Length	Cutout Width
24"	23 3/8"	5 3/8"	24 3/16"	6 3/16"	24 1/4"	6 1/4"	23 3/8"	6 3/16"	23 1/2"	5 1/2"
30"	29 3/8"	5 3/8"	30 3/16"	6 3/16"	30 1/4"	6 1/4"	29 3/8"	6 3/16"	29 1/2"	5 1/2"
36"	35 3/8"	5 3/8"	36 3/16"	6 3/16"	36 1/4"	6 1/4"	35 3/8"	6 3/16"	35 1/2"	5 1/2"
48"	47 3/8"	5 3/8"	48 3/16"	6 3/16"	48 1/4"	6 1/4"	47 3/8"	6 3/16"	47 1/2"	5 1/2"
60"	59 3/8"	5 3/8"	60 3/16"	6 3/16"	60 1/4"	6 1/4"	59 3/8"	6 3/16"	59 1/2"	5 1/2"
72"	71 3/8"	5 3/8"	72 3/16"	6 3/16"	72 1/4"	6 1/4"	71 3/8"	6 3/16"	71 1/2"	5 1/2"
84"	83 3/8"	5 3/8"	84 3/16"	6 3/16"	84 1/4"	6 1/4"	83 3/8"	6 3/16"	83 1/2"	5 1/2"
90"	89 3/8"	5 3/8"	90 3/16"	6 3/16"	90 1/4"	6 1/4"	89 3/8"	6 3/16"	89 1/2"	5 1/2"
96"	95 3/8"	5 3/8"	96 3/16"	6 3/16"	96 1/4"	6 1/4"	95 3/8"	6 3/16"	95 1/2"	5 1/2"
Custom Order Length	Order Length - 5/8"	5 3/8"	Order Length + 3/16"	6 3/16"	Order Length + 1/4"	6 1/4"	Order Length - 5/8"	6 3/16"	Order Length - 1/2"	5 1/2"

* This trim type typically installed before ceiling or from above ceiling

For lengths over 96", consult factory regarding cutout dimensions



STARFIRE LIGHTING, INC.
7 Donna Drive, Wood-Ridge, NJ 07075
starfirelighting.com

P 201.438.9540
F 201.438.9541

All designs and scaled drawings shall remain the property of STARFIRE LIGHTING, INC., and may not be reproduced or transmitted without expressed written consent. STARFIRE LIGHTING, INC. reserves the right to make changes on approved designs to facilitate manufacturing methods to the extent that such changes do not compromise design integrity.