

1" VersaLux LED Slot

LED

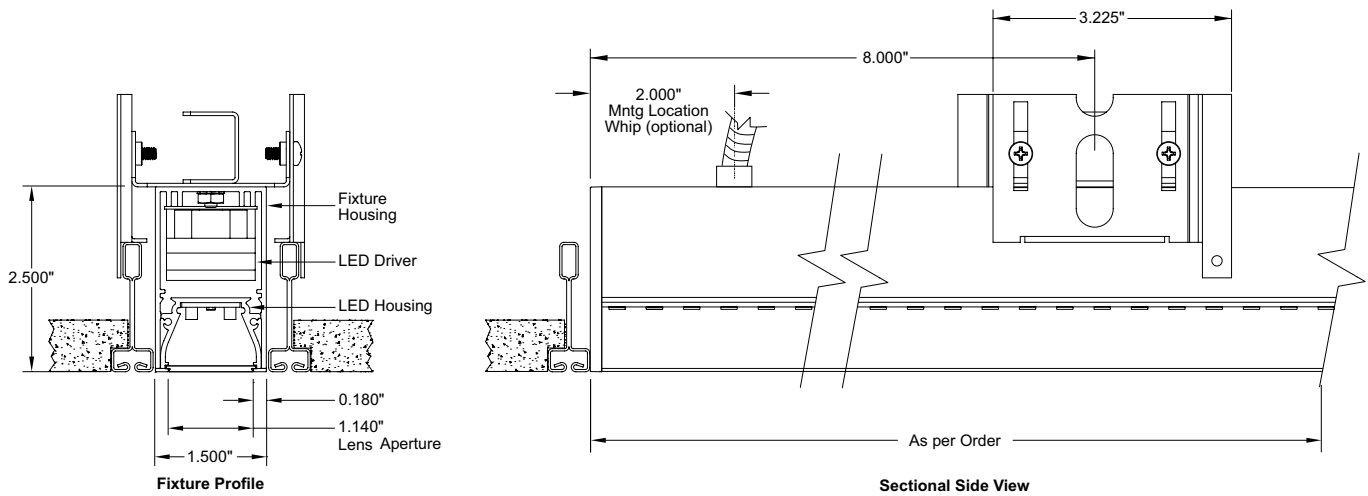


Linear Narrow Profile
LED Slot with Flush Lens
and Internal Driver

VLN1 LED

Job Name _____

Fixture Type _____



Ceiling Trim Detail

Plaster Trim		Flange Trim	Grid Trim				
Plaster Flange Above Ceiling: PA	Plaster Flange Below Ceiling: PB	1/2 Flange Trim: F2	Donn Fineline Armstrong Bolt: X9	TechZone 9/16 Suprafine: X9	TechZone 15/16 Prelude: X1	TechZone 9/16 Interlude: X9	Decoustic or Architectural: X9

VLN1-L						-W-	
CRI	Color Temp	Output	Dimming	Length (inches)	Ceiling Trim	Whip	(Finish)
8 80+	27 2700K	S Std.	S Std. 0-10V (1%)	Nominal: 24 36 48	PA Plaster Flange Above	N No Whip	
9 90+*	30 3000K	H High	E Lutron 5 Series (5%)	60 72 84	PB Plaster Flange Below	W Standard Whip	
	35 3500K	M Max.	H Lutron Hi-Lume (1%)	96 (see Page 3)	F2 Flange 1/2"	C Chicago Whip	
	40 4000K	Custom: Specify Lm/Ft*	D Dali (1%)	Custom: Cxxx (in inches)	X9 9/16 Grid Trim		
	TW 2700K-6500K		W Wireless**		X1 15/16 Grid Trim		

Product Code Example: **VLN1-L830H-E-120-X9-W-N**

An ultra-clean line, low profile, narrow linear slot utilizing high performance LED boards and lenses. Extruded aluminum housing with internal driver.

Features

- Starfire's proprietary EvenGlow™ system provides uniform lens illumination from edge-to-edge without lamp imaging, bright spots or shadows at any length
- Fixtures fabricated to any specified length without custom engineering
- Exceptional lumen per watt efficiency
- High efficiency, low cost, dynamic Tunable White option
- High performance acrylic flush diffusion lens
- Future proof LED boards sourced from world's leading suppliers

Fixture Specifications

- Housing: Heavy-duty extruded aluminum
- Finish: White (std), custom available
- Weight: Approx. 1 lb. per linear foot
- UL Listed, (indoor non-condensing) & CCEA Approved

Electrical

- Power consumption: Per specification based on LED configuration
- Input Voltage: 120-277V universal driver
- Ambient operating range: -4 °F to +100 °F
- Drivers with full dimming range at any output choice
- 1% Dimming: 0-10V standard (included), consult factory for other options

Mounting

- Universal mounting brackets provided. Contact factory for alternate mounting

Ceiling Dimensions: Page 3

Options (Consult factory)

- 6 ft armored whip, may be factory installed
- Occupancy sensor, daylight control module
- EM pack in 4ft segments. Delivers 675 lumens for 90 mins. Specify location(+/- 2ft) at time of order

LED Specifications/Photometry: Page 2

- * Factory to confirm availability
- ** 1% PWM dimming. If CCR is required, contact factory
- *** Specify wireless system



STARFIRE LIGHTING, INC.
7 Donna Drive, Wood-Ridge, NJ 07075
starfirelighting.com

P 201.438.9540
F 201.438.9541

All designs and scaled drawings shall remain the property of STARFIRE LIGHTING, INC., and may not be reproduced or transmitted without expressed written consent. STARFIRE LIGHTING, INC., reserves the right to make changes on approved designs to facilitate manufacturing methods to the extent that such changes do not compromise design integrity.

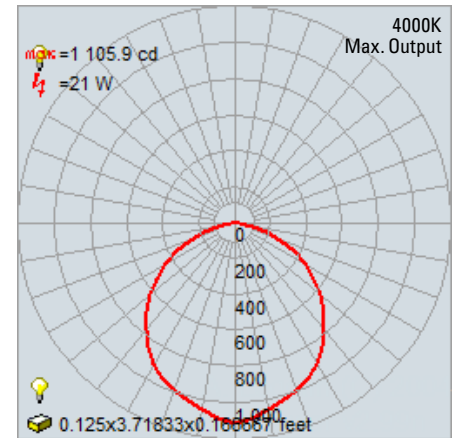
VersaLux LED Narrow Profile Slot – Flush Lens with Internal Driver

VLN1 LED

LED Strip

High output edge-to-edge, end-to-end illumination

- Choice of lumen output levels:
 - S:** Standard
 - H:** High
 - M:** Maximum
 - C:** Custom (between 200 and 1000 Lm/Ft)
- LED Efficiency: Up to 160 Lm/Wt at Maximum output and 180 Lm/Wt at Standard power (at 80+ CRI)
- L70: 50,000+ hours at Maximum output
- 2700K, 3000K, 3500K, 4000K and Tunable White: 2700K-6500K
- CRI: 80+ or 90+
- Color Consistency: Equal or better than 3 SCDM with chip mixing
- UL Listed, (indoor non-condensing)
- 5 year limited warranty*



Fixture Efficacy

Output Setting	Lm/Ft	4000K		3500K		3000K		2700K	
		Wt/Ft	Lm/Wt	Wt/Ft	Lm/Wt	Wt/Ft	Lm/Wt	Wt/Ft	Lm/Wt
S Standard	250	1.7	144.1	1.8	141.0	1.8	135.8	2.0	122.3
H High	500	3.6	138.7	3.7	136.0	3.8	130.5	4.3	115.6
M Maximum	750	5.6	133.0	5.7	130.6	6.0	125.1	6.9	108.9

Performance for nominal 4 foot length or greater (Std. 6ft)

* See Starfire website for Product Limited Warranty



STARFIRE LIGHTING, INC.
7 Donna Drive, Wood-Ridge, NJ 07075
starfirelighting.com

P 201.438.9540
F 201.438.9541

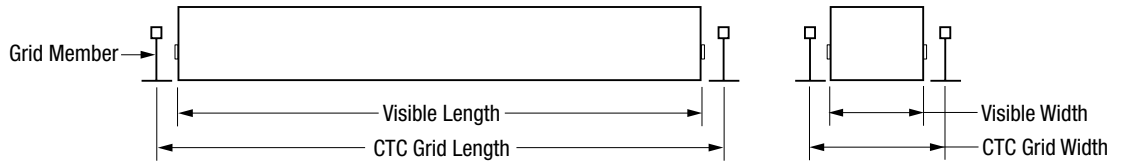
All designs and scaled drawings shall remain the property of STARFIRE LIGHTING, INC., and may not be reproduced or transmitted without expressed written consent. STARFIRE LIGHTING, INC., reserves the right to make changes on approved designs to facilitate manufacturing methods to the extent that such changes do not compromise design integrity.

VersaLux LED Narrow Profile Slot – Flush Lens with Internal Driver

VLN1 LED

Ceiling Dimensions

Grid Ceiling Dimensions



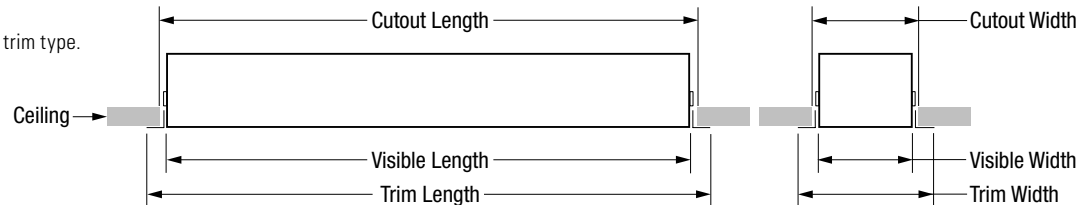
Order CTC Grid Length	9/16", Don Fineline, Decoustic			15/16"		
	Visible Length	Visible Width	CTC Grid Width	Visible Length	Visible Width	CTC Grid Width
24"	23 3/8"	1 1/2"	2 1/8"	23"	1 1/2"	2 1/2"
30"	29 3/8"	1 1/2"	2 1/8"	29"	1 1/2"	2 1/2"
36"	35 3/8"	1 1/2"	2 1/8"	35"	1 1/2"	2 1/2"
48"	47 3/8"	1 1/2"	2 1/8"	47"	1 1/2"	2 1/2"
60"	59 3/8"	1 1/2"	2 1/8"	59"	1 1/2"	2 1/2"
72"	71 3/8"	1 1/2"	2 1/8"	71"	1 1/2"	2 1/2"
84"	83 3/8"	1 1/2"	2 1/8"	83"	1 1/2"	2 1/2"
96"	95 3/8"	1 1/2"	2 1/8"	95"	1 1/2"	2 1/2"

Custom Fixture Length Example:

A 36" Nominal Order Length yields a 33 1/4" Visible Length.

For an exact 36" Visible Length, order "C36".

See charts below for length adjustments per trim type.



Solid Ceiling Dimensions

Nominal Order Length	Visible Length	Visible Width	Plaster Flange			
			Trim Length	Trim Width	Cutout Length	Cutout Width
24"	22 1/4"	1 1/2"	23"	4 1/4"	22 1/2"	1 7/8"
30"	27 3/4"	1 1/2"	28 1/2"	4 1/4"	28"	1 7/8"
36"	33 1/4"	1 1/2"	34"	4 1/4"	33 1/2"	1 7/8"
48"	44 5/16"	1 1/2"	45 1/16"	4 1/4"	44 9/16"	1 7/8"
60"	55 5/16"	1 1/2"	56"	4 1/4"	55 9/16"	1 7/8"
72"	71 7/8"	1 1/2"	72 5/8"	4 1/4"	72 1/8"	1 7/8"
84"	82 7/8"	1 1/2"	83 5/8"	4 1/4"	83 1/8"	1 7/8"
96"	93 7/8"	1 1/2"	94 5/8"	4 1/4"	94 1/8"	1 7/8"
Custom Order Length*	Order Length	1 1/2"	Order Length + 3/4"	4 1/4"	Order Length + 1/4"	1 7/8"

Nominal Order Length	Visible Length	Visible Width	1/2" Flange				Grid Trim (No Flange)			
			Trim Length	Trim Width	Cutout Length	Cutout Width	Trim Length	Trim Width	Cutout Length	Cutout Width
24"	22 1/4"	1 1/2"	23 1/4"	2 1/2"	22 5/8"	1 3/4"	22 9/16"	1 1/2"	22 11/16"	1 5/8"
30"	27 3/4"	1 1/2"	28 3/4"	2 1/2"	28 1/8"	1 3/4"	28 1/16"	1 1/2"	28 3/16"	1 5/8"
36"	33 1/4"	1 1/2"	34 1/4"	2 1/2"	33 5/8"	1 3/4"	33 9/16"	1 1/2"	33 11/16"	1 5/8"
48"	44 5/16"	1 1/2"	45 5/16"	2 1/2"	44 11/16"	1 3/4"	44 5/8"	1 1/2"	44 3/4"	1 5/8"
60"	55 5/16"	1 1/2"	56 5/16"	2 1/2"	55 11/16"	1 3/4"	55 5/8"	1 1/2"	55 3/4"	1 5/8"
72"	71 7/8"	1 1/2"	72 7/8"	2 1/2"	72 1/4"	1 3/4"	72 3/16"	1 1/2"	72 5/16"	1 5/8"
84"	82 7/8"	1 1/2"	83 7/8"	2 1/2"	83 1/4"	1 3/4"	83 3/16"	1 1/2"	83 5/16"	1 5/8"
96"	93 7/8"	1 1/2"	94 7/8"	2 1/2"	94 1/4"	1 3/4"	94 3/16"	1 1/2"	94 5/16"	1 5/8"
Custom Order Length*	Order Length	1 1/2"	Order Length + 1"	2 1/2"	Order Length + 3/8"	1 3/4"	Order Length + 5/16"	1 1/2"	Order Length + 7/16"	1 5/8"

For lengths over 96", consult factory for cutout dimensions

* Some exact lengths may include unobtrusive lens filler



STARFIRE LIGHTING, INC.
7 Donna Drive, Wood-Ridge, NJ 07075
starfirelighting.com

P 201.438.9540
F 201.438.9541

All designs and scaled drawings shall remain the property of STARFIRE LIGHTING, INC., and may not be reproduced or transmitted without expressed written consent. STARFIRE LIGHTING, INC., reserves the right to make changes on approved designs to facilitate manufacturing methods to the extent that such changes do not compromise design integrity.