

1" VersaLux LED Swivel Arm Wall or Ceiling Mount Bracket

LED

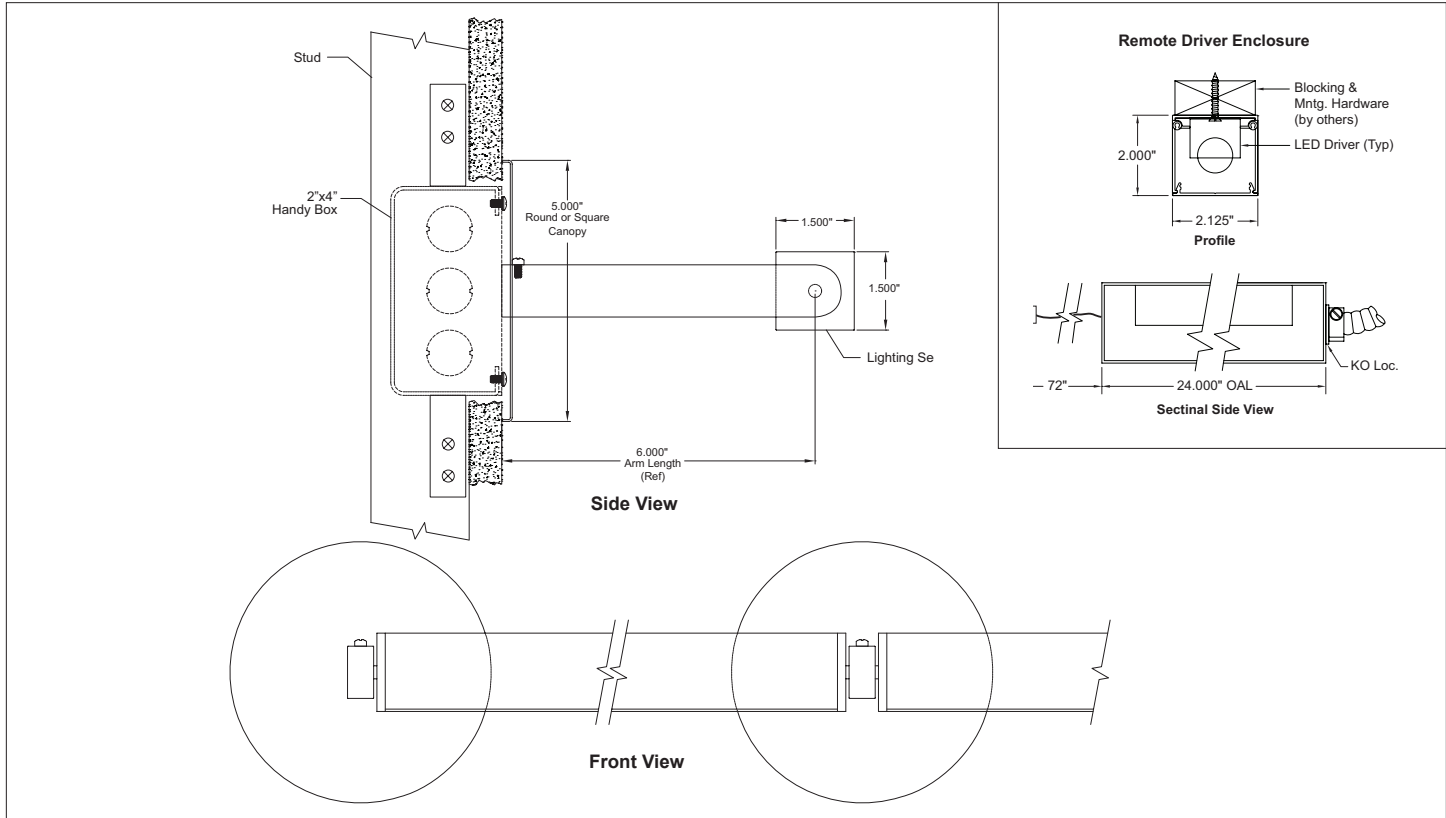


Linear Narrow Profile
LED Swivel Arm Bracket with
Flush Lens and External Driver

SAX1

Job Name

Fixture Type



CRI	Color Temp	Output	Dimming	Lens	# of Segments	Segment Length ctc	Arm Length (")	Mounting	Canopy	Finish
8 80+ 9 90+	27 2700K 30 3000K 35 3500K 40 4000K TW 2700K-6500K	S Std. H High M Max. Custom: Specify Lm/Ft ⁽¹⁾	S 0-10V (1%) Std. H ECO (1%) D DALI (1%) P POE ⁽²⁾ W Wireless ⁽²⁾	DF Diffusion BT Batwing LS Louver Specular	(Specify)	Nominal: 24 36 48 60 72 84 96 (see Page 2) Custom: Cxxx (in inches)	Nominal: 6 9 12 18 ⁽³⁾ 24 ⁽³⁾ 30 ⁽³⁾ Custom: Cxxx (in inches)	W Wall C Ceiling	R Round (std) S Square	W White (std) B Black C Custom Custom: Specify

Product Code Example: **SAX1-L830HS-DF-4-96-9-WR-W**

A highly versatile, mini-profile, linear fixture that mounts to walls or ceilings. The ultra clean line lighting element rotates to any angle for direct, indirect or surface wash illumination walls, ceilings or for general room lighting. Fixture segments stand alone or join in continuous runs with each segment independently rotating. SAX1 utilizes high performance LED boards, full reflectors and proprietary lenses for industry leading efficacy. Extruded aluminum components throughout ensure quality and reliability.

Features

- Starfire's proprietary EvenGlow™ system provides uniform lens illumination from edge-to-edge without lamp imaging, bright spots or shadows
- Exceptional lumen per watt efficiency
- Standard or custom arm lengths
- 8 combinations of CCT and CRI, plus Tunable White
- High performance diffusion, batwing or baffled lenses

Fixture Specifications

- Housing, Arms and Lighting Segment: Heavy-duty extruded aluminum
- Finish: White (std) or Black, custom available
- Weight: Approx. 1.0 lbs per linear foot
- UL Listed, (indoor non-condensing)

Electrical

- Power consumption: Per specification based on LED configuration
- Input Voltage: 120-277V universal driver
- Ambient operating range: -4 °F to +100 °F
- Remote electronic driver
- Class 2 plenum wiring between fixture and remote driver
- Drivers with full dimming range at any output choice
- Dimming: 0-10V 1% standard, plus other options

Mounting

- Attaches directly to structurally supported electrical box. Wall mounted arm lengths greater than 12" utilize an adjustable aircraft cable brace.
- Round and square canopies.
- Driver enclosure will support one segment. Contact factory for other configurations

LED Specifications/Photometry: Page 2

(1) Factory to confirm availability
(2) Specify system
(3) Bracing cable required for wall mount arm lengths of 24" and up



STARFIRE LIGHTING, INC.
7 Donna Drive, Wood-Ridge, NJ 07075
starfirelighting.com

P 201.438.9540
F 201.438.9541

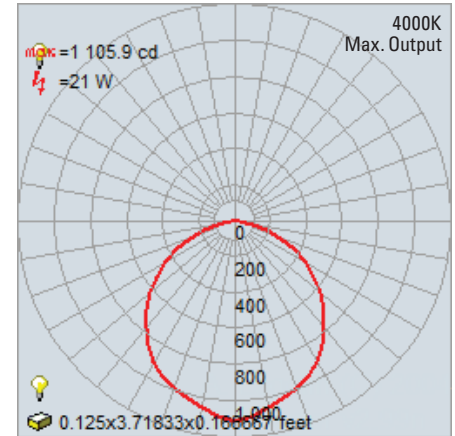
All designs and drawings are the property of STARFIRE LIGHTING, INC. We reserve the right to make changes to specifications and approved designs at any time without notice to facilitate manufacturing methods to the extent that such changes do not compromise design integrity. All performance specifications are subject to +/- 10% deviation.

1" LED Narrow Profile Swivel Arm Wall or Ceiling Bracket – Flush Lens with External Driver

SAX1 LED

LED Strip

- Choice of lumen output levels:
 - S:** Standard
 - H:** High
 - M:** Maximum
 - C:** Custom – between 200 and 1000 Lm/Ft (Max. dependant upon CCT/CRI)
- LED Efficiency: Up to 160 Lm/Wt at Maximum output and 180 Lm/Wt at Standard power (at 80+ CRI)
- L70: 50,000+ hours at Maximum output
- 2700K, 3000K, 3500K, 4000K and Tunable White: 2700K-6500K
- CRI: 80+ or 90+
- Color Consistency: Equal or better than 3 SCDM with chip mixing
- UL Listed, (indoor non-condensing)
- 5 year limited warranty*



Fixture Efficacy (80 CRI)

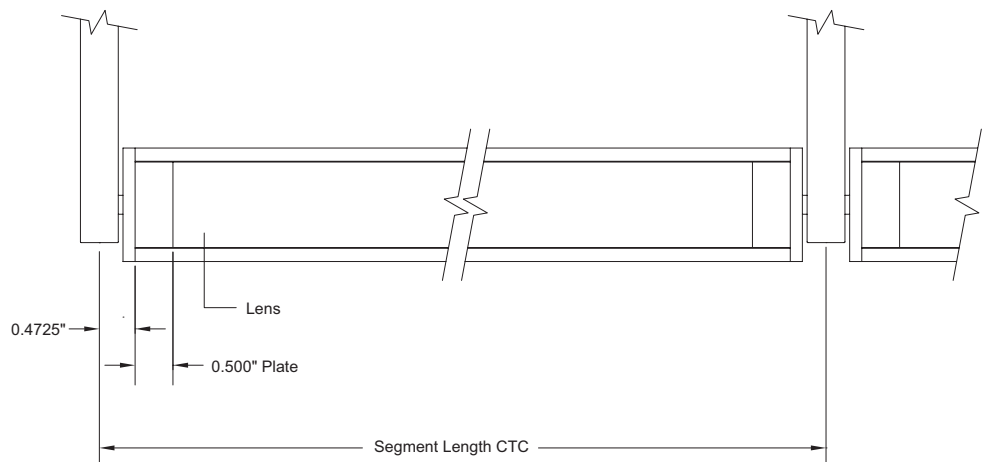
Output Setting	Lm/Ft	4000K		3500K		3000K		2700K	
		Wt/Ft	Lm/Wt	Wt/Ft	Lm/Wt	Wt/Ft	Lm/Wt	Wt/Ft	Lm/Wt
S Standard	250	1.7	144.1	1.8	141.0	1.8	135.8	2.0	122.3
H High	500	3.6	138.7	3.7	136.0	3.8	130.5	4.3	115.6
M Maximum	750	5.6	133.0	5.7	130.6	6.0	125.1	6.9	108.9

Performance for nominal 4 foot length or greater (Std. 6ft)

Fixture Dimensions

Segment Length CTC

Nominal	Actual
24"	24.015"
30"	29.540"
36"	35.040"
42"	40.565"
48"	46.065"
54"	51.590"
60"	57.090"
66"	62.615"
70"	68.115"
74"	73.640"
80"	79.140"
84"	84.665"
90"	90.165"
96"	95.690"



* See Starfire website for Product Limited Warranty



STARFIRE LIGHTING, INC.
7 Donna Drive, Wood-Ridge, NJ 07075
starfirelighting.com

P 201.438.9540
F 201.438.9541

All designs and drawings are the property of STARFIRE LIGHTING, INC. We reserve the right to make changes to specifications and approved designs at any time without notice to facilitate manufacturing methods to the extent that such changes do not compromise design integrity. All performance specifications are subject to +/- 10% deviation.