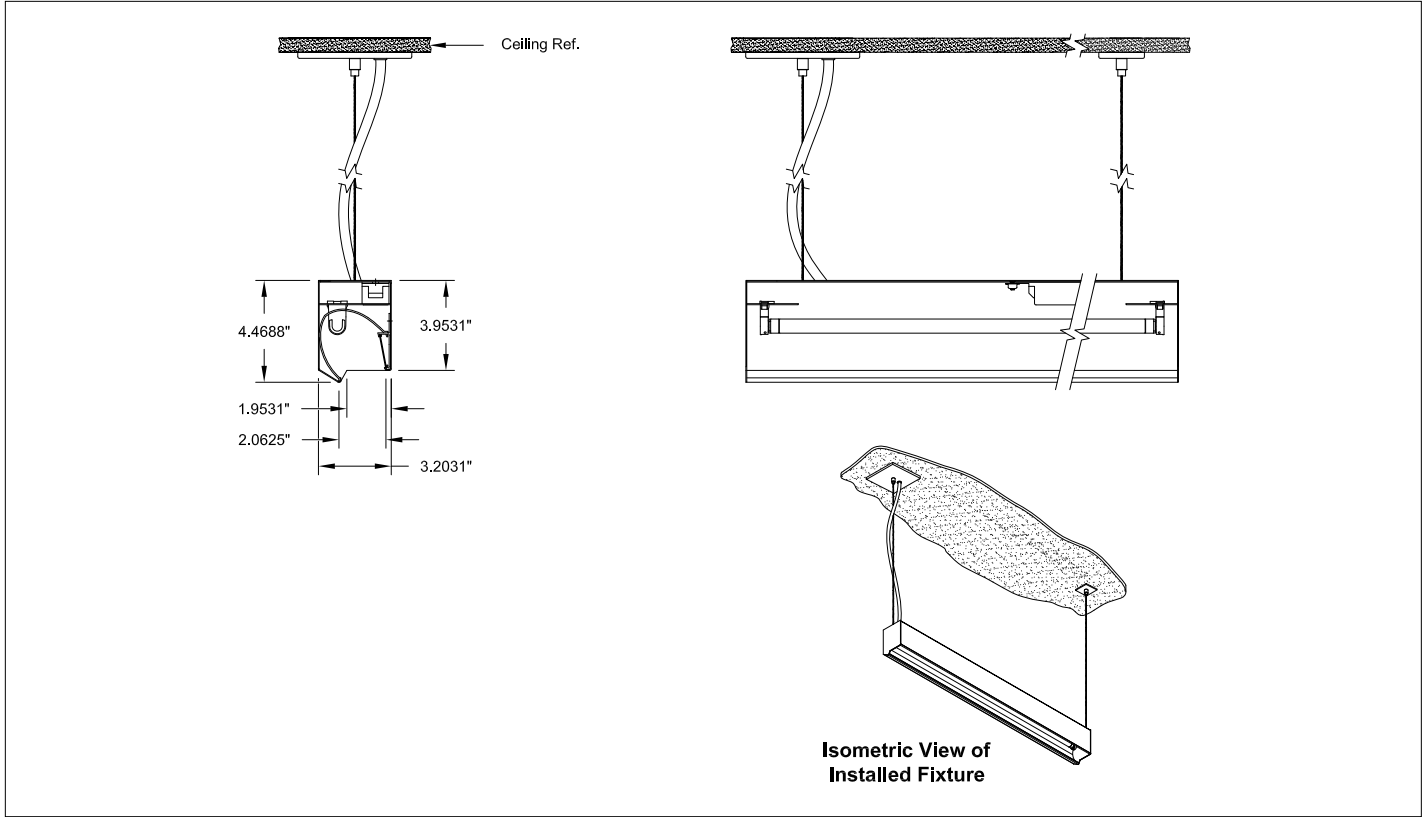
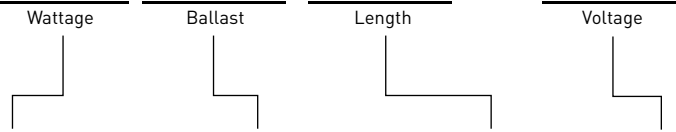


Linear Wallwash Pendant

T5



PW4-1T - -W-



Wattage		Ballast	Length	Voltage
<input type="checkbox"/> 14	<input type="checkbox"/> 24HO	<input type="checkbox"/> E (Electronic) Std.	<input type="checkbox"/> 24"	<input type="checkbox"/> 1 (120V)
<input type="checkbox"/> 21	<input type="checkbox"/> 39HO	<input type="checkbox"/> D (Dimming)	<input type="checkbox"/> 36"	<input type="checkbox"/> 2 (277V)
<input type="checkbox"/> 28	<input type="checkbox"/> 54HO		<input type="checkbox"/> 48"	
		Specify Ballast (required)	<input type="checkbox"/> 72"	
			<input type="checkbox"/> 96"	

Description

Linear fluorescent wallwash pendant.
Single T5 lamp in cross section.

Features

- Fixtures fabricated to any length
- Custom configurations with fully illuminated corners
- Access to ballast and wiring from bottom of fixture

Fixture Specifications

Finish: White (std), custom available
Weight: Approx. 6 lbs. per linear foot
Cable: 4' (std), custom lengths available

Electrical

- Ambient temperature 100 °F. maximum
- Integral electronic ballast(s), thermally protected
- Through branch wiring capable

Mounting

Square canopies (std), round available
Contact factory for special ceiling conditions

Options (Consult factory)

- Occupancy sensor and daylight control module
- Integral EM pack with test button in canopy

Photometry: Page 2



All designs and scale drawings shall remain the property of STARFIRE LIGHTING, INC., and may not be reproduced or transmitted without the expressed written consent. STARFIRE LIGHTING, INC. reserves the right to make changes on approved designs to facilitate manufacturing methods to the extent that such changes do not compromise design integrity.

VersaLux™

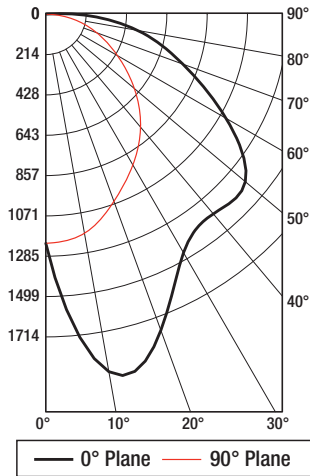
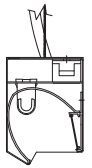
PW4 Linear Wallwash Pendant

T5

Fixture Photometrics

54 Watt

Photometry reports for other fixture configurations, consult factory



Total Luminaire Efficiency: 63.80%

Candela Distribution

	0	45	90	135	180
0	1217	1217	1217	1217	1217
10	1928	1796	1181	287	117
20	1786	1841	1057	60	42
30	1462	1574	924	46	48
40	1383	1304	783	50	43
50	1383	1162	614	39	15
60	1105	1008	440	19	2
70	774	716	288	4	0
80	496	401	145	0	0
90	173	120	18	0	0

Zonal Lumen Summary

0-5	29
5-15	204
15-25	363
25-35	452
35-45	501
45-55	527
55-65	479
65-75	359
75-85	214
85-95	62

Utilization

RC	80				70				50			30			10			Flux
RW	70	50	30	10	70	50	30	10	50	30	10	50	30	10	50	30	10	0
0	76	76	76	76	74	74	74	74	71	71	71	68	68	68	65	65	65	64
1	69	65	62	59	67	64	61	58	61	58	56	58	56	54	52	52	52	51
2	62	56	52	48	60	55	51	47	53	49	46	50	47	45	42	42	42	42
3	56	49	44	39	55	48	43	39	46	42	38	44	40	37	35	35	35	35
4	51	43	37	33	50	42	37	33	41	36	32	39	35	32	30	30	30	30
5	47	39	33	28	46	38	32	28	36	31	28	35	31	27	26	26	26	25
6	44	35	29	25	42	34	29	24	33	28	24	32	27	24	22	22	22	22
7	40	32	26	22	39	31	25	22	30	25	21	29	24	21	20	20	20	20
8	38	29	23	19	37	28	23	19	27	23	19	27	22	19	18	18	18	18
9	35	26	21	17	34	26	21	17	25	21	17	25	20	17	16	16	16	16
10	33	24	19	16	32	24	19	16	23	19	16	23	19	16	14	14	14	14