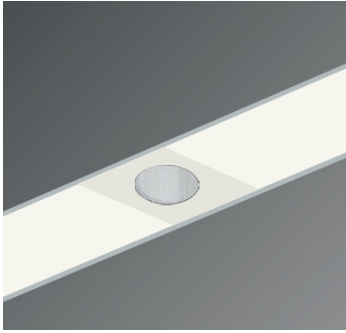


# VersaLux Micro-Downlight Module



**LED Light Engine**  
for use in Starfire 1" linear slots  
as an integrated point source downlight

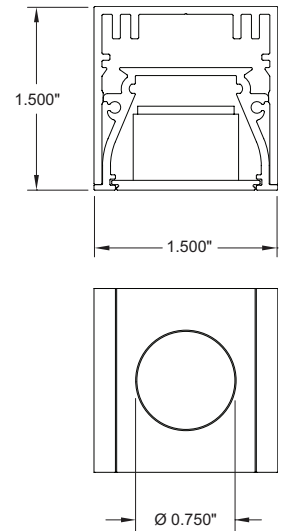
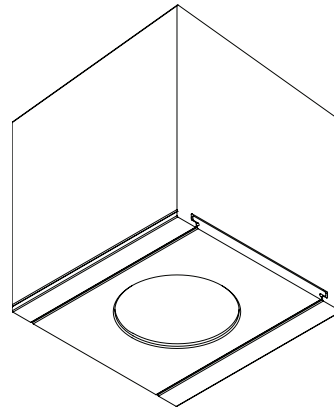
## Series MDM

Utilizing the latest LED technology, the VersaLux Micro-Downlight Module produces an enormous amount of light for its size.

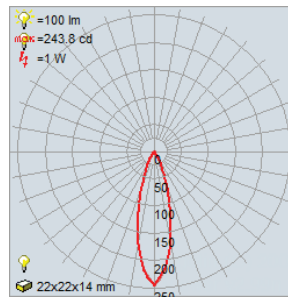
Starfire 1" slots can be equipped with one or more miniature downlight module(s) located along the length of the fixture.

## Features

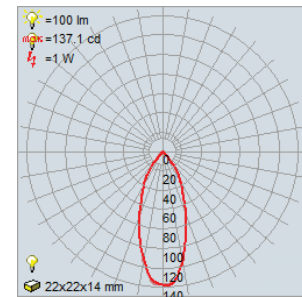
- Flush-mount module blends into fixture surface
- Beam angles of 25° and 40° meet precise lighting requirements
- Factory programmable custom light output up to 750 lm/module
- 2700K, 3000K, 3500K and 4000K
- 90+ CRI
- Extremely efficient, up to 108 lm/wt
- Can be circuited independent of the linear portion of slot
- 0-10V dimming standard, other systems available
- Compliant with Title 24 allowing true wattage allocation based on specified configuration
- 50,000+ hours



## 25° Spot



## 40° Flood



## Module Efficacy – 25° Spot or 40° Flood

Output Setting	90 CRI		4000K		3500K		3000K		2700K	
	Lm/Ft	Wt/Ft	Lm/Wt	Wt/Ft	Lm/Wt	Wt/Ft	Lm/Wt	Wt/Ft	Lm/Wt	
<b>S</b> Standard	<b>250</b>	2.8	90.1	2.9	87.3	3.0	84.5	3.1	80.2	
<b>H</b> High	<b>500</b>	5.7	87.0	5.9	84.2	6.1	81.3	6.5	77.0	
<b>M</b> Maximum	<b>750</b>	8.3	84.5	8.6	81.6	8.9	78.8	9.4	74.5	



STARFIRE LIGHTING, INC.  
7 Donna Drive, Wood-Ridge, NJ 07075  
starfirelighting.com

P 201.438.9540  
F 201.438.9541

All designs and drawings are the property of STARFIRE LIGHTING, INC. We reserve the right to make changes to specifications and approved designs at any time without notice to facilitate manufacturing methods to the extent that such changes do not compromise design integrity. All performance specifications are subject to +/- 10% deviation.