

1" VersaLux LED Slot

Linear Narrow Profile LED Slot with Flush Lens and Internal Driver

Series VLN1

Installation Instructions

OVERVIEW: VLN1 is a 1" aperture linear LED slot intended to install in recessed fashion in a sheetrock ceiling. The fixture is designed to be supported by screwing it into structural blocking. The fixture has flanges to which the sheetrock will be attached for stability but the fixture is not intended to act as a structural support for the sheetrock.

Preparation (Figures 1 & 2)

Install power feeds and structural blocking at designated locations first. See approval drawing for locations and dimensions.

(Trim Type: PA) Plaster Flange Above Ceiling (See Figure 1)

Install the fixture housing first, then bring the final sheetrock to the fixture edge.

(Trim Type: PB) Plaster Flange Below Ceiling (See Figure 2)

Install the sheetrock and make the appropriate cutout for the fixture to be inserted.

WARNING:

- Do not drill through the sidewalls of the housing for any reason. Depending upon mounting configuration, it is permissible to drill through the top of the housing to attach to structural blocking.
- Do not disassemble the removable Lighting Module(s) for any reason. There are no user serviceable parts inside.
- Power and control wiring must be installed according to local electrical codes.

Unpacking (Figures 3 & 4)

The fixture is shipped with Lighting Module(s) installed in the housing. The Lighting Module must be removed for installation. Locate the Notch (A) at one end of the housing. Insert a small flat blade screwdriver into the Notch and twist to release Lighting Module from its Retention Clip (B) at one end of housing. Pull the module to detach it from remaining Retention Clip and the rest of the housing. With the module free, disconnect the DC power wires by pulling the Bullet Connectors (C) apart.

NOTE:

- Bullet Connectors are configured so they can only be reconnected in the right polarity. Now separate each ball safety chain at the Connector Link (D) in the center of the chain.
- Lighting Modules and housings are precision cut to length as a matched set and labeled accordingly. In multi-section fixtures, the removable lighting module may extend beyond the housing to help align sections and minimize light leak. Do not swap lighting modules with different housings.

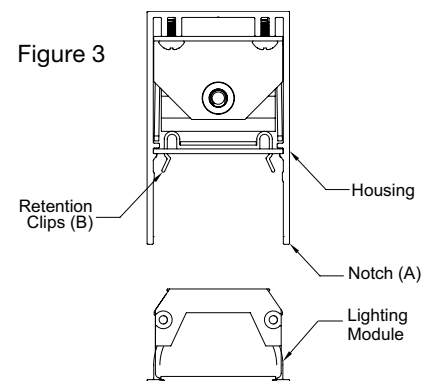
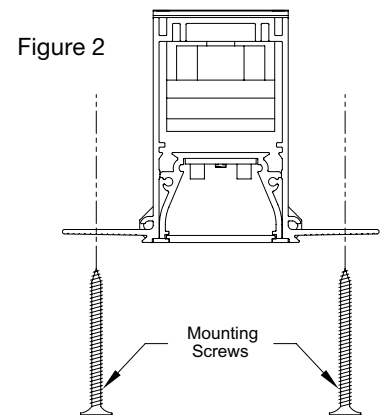
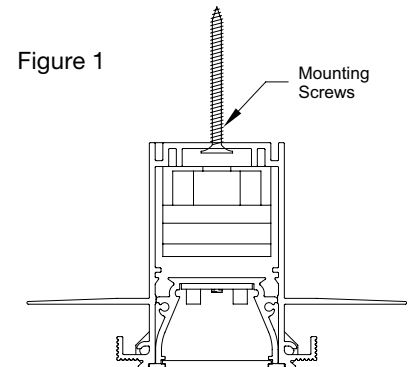
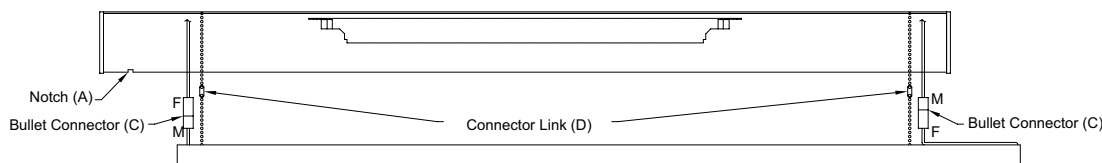


Figure 4



1" VersaLux LED Slot

Linear Narrow Profile LED Slot with Flush Lens and Internal Driver

Series VLN1

Installation Instructions

Dimensions (Figure 5)

Refer to Figure 5 for ceiling opening dimensions.

Mounting (Figures 6 & 7)

(Trim Type: PA) Plaster Flange Above Ceiling (See Figure 6)

Blocking is installed prior to fixture and final sheetrock is installed after fixture is in place.

Identify the fixture housing to be installed at the desired location. If a multi-section fixture, identify the first section housing (end cap on one end and open on the other, also typically the power feed section). Raise the housing to the Structural Blocking (E), drill and screw through the housing into blocking above. Depending upon ceiling conditions electrical connections can be made before or after the housing has been mounted. (See Wiring below).

(Trim Type: PB) Plaster Flange Below Ceiling (See Figure 7)

Sheetrock and blocking is installed prior to fixture, then fixture is installed in opening.

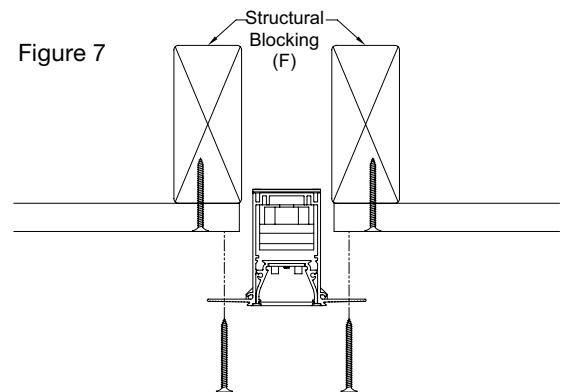
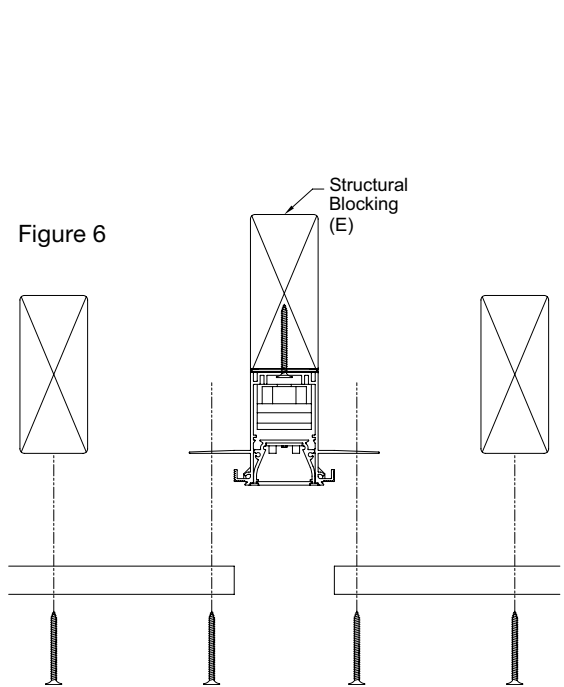
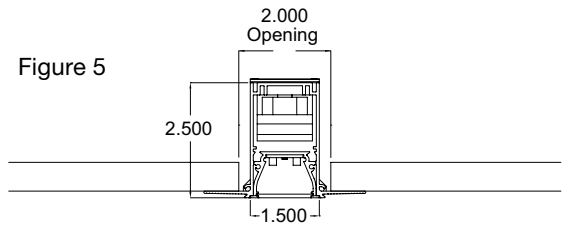
Identify the fixture housing to be installed at the desired location. If a multi-section fixture, identify the first section housing (end cap on one end and open on the other end also typically the power feed section). Before raising the fixture make the electrical connection (See Wiring below). Raise the housing into the opening in the sheetrock and screw the housing through the plaster flange, through the sheetrock and into Structural Blocking (F) above the sheetrock at the side of the fixture.

Wiring

If the fixture was ordered with optional whip, attach it to the designated junction box and make the power and dimming connections in the junction box. If the fixture is not equipped with a whip, attach locally supplied flexible conduit to the provided conduit connector and make power and dimming connections in the fixture housing.

Wiring Chart

Function	Standard 0-10V Dimming	Lutron 3 Wire Line Dimming	Lutron Eco Dimming
Switched Line (120-277V)	Black	Black	Black
Neutral	White	White	White
Ground	Green	Green	Green
0-10V (+)	Purple		
0-10V (-)	Grey		
Dimmed Line		Orange	
E1			Purple/White
E2			Purple



1" VersaLux LED Slot

Linear Narrow Profile LED Slot with Flush Lens and Internal Driver

Series VLN1

Installation Instructions

Mounting Additional Sections (Figures 8 & 9)

If fixture has multiple sections, install next fixture section by selecting it from the labeling guide. Position it so matching labels are at the junction of the sections. Using the 5/32 Ball Head Allen driver provided, remove the 10-32 screw Jack Screw (G) from internal Joining Bracket (H). Now raise the new housing into place, plug the Buss Connectors (I) together and slide the new section into the previous section. Make sure the Buss Connector wires are tucked back into the housing so they are not pinched between sections. Install the Jack Screw through the hole in the Joining Spline (J) and thread into Joining Bracket (H). Use the Ball Head Allen driver to tighten the sections together closing the gap. Now screw the new section to the blocking as described above.

Ceiling Finishing

After all section housings are mounted, wiring installed, final sheetrock sections screwed to Plaster Flange Above Ceiling Trim (if used), then apply spackle from the edge of the housing, over the mounting screws and onto the sheetrock. Sand and paint the ceiling before installing the lighting modules.

Note:

Avoid getting spackle, paint or dust inside the housing as it will prevent installation of the lighting module and/or interfere with cooling the module.

Lighting Module Installation (Refer back to Figures 3 & 4)

Starting at the first section if a multi-section fixture, identify the Lighting Module for that housing. Orient the Lighting Module so the Bullet Connectors (C) will mate (M/F) pairs. Raise the module into place and join the safety ball chain at each end. Plug the Bullet Connectors at each firmly together. Insert the Lighting Module into the housing tucking the safety chain and wiring inside the housing but between the catch plates or driver and Lighting Module. Press the module all the way into the housing along its entire lengths and it will click into the Retention Clips (B). In multi-section fixtures, it is normal for Lighting Modules to extend beyond their housing. Repeat this process for the next section until all Lighting Modules are installed.

Service and Repair

Do not attempt to repair these fixtures without first consulting the factory. Improper repair actions will VOID the Warranty and can result in damage to the fixture components. Driver and LED components are custom configured at the factory. Generic replacements CANNOT be used. If any of these parts need to be replaced, they can be obtained from the factory, properly configured for each fixture. If directed to make a repair, TURN OFF POWER to the fixture before disassembly.

Lens Removal

Lenses should not be removed from the Lighting Module as there are no user serviceable parts within.

Figure 8

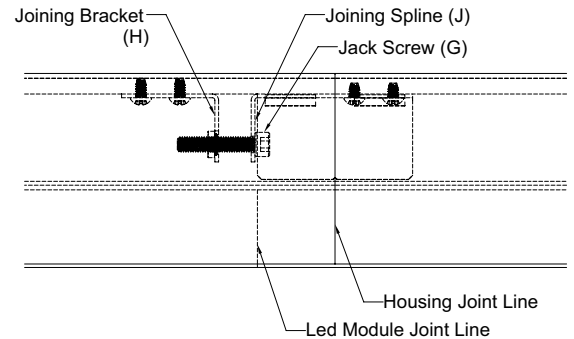


Figure 9

