

LED Brick Light

IP65

120V-277V

LED LIGHTING SYSTEM

Series LBL



LED Brick Light is a 120-277 volt, recessed lighting system with 3 distinctive face plate designs.

Use LED Brick Light for outdoor or indoor pathway/step safety lighting applications.

Features

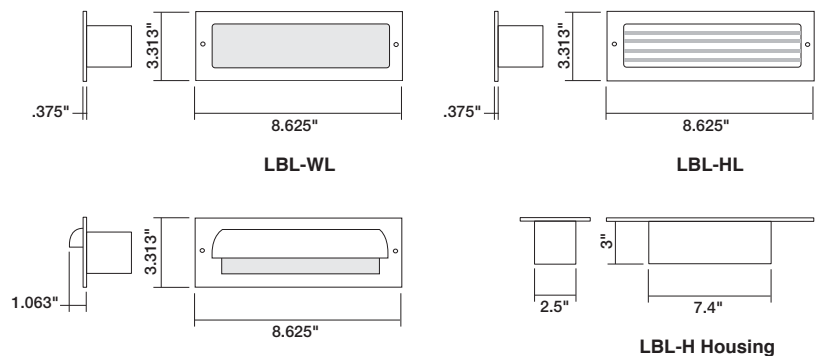
- Easy install, 3-piece assembly
- Die-cast aluminum face plates
- Water tight powder coated die-cast aluminum housing with gasket
- Feed through construction with three 1/2" KO's and mounting screws for hanger bars
- Polycarbonate enclosure light engine with acrylic lens, fully sealed for outdoor use
- IP65 and UL listed for wet locations when used with LBL-H housing

LED Light Engine

- 24 LEDs
- 5W total consumption
- 120V-277V
- 110° beam angle
- 50,000+ hours

Dimensions

- FACE PLATES
 - LBL-WL** 8.625"W x 3.313"H x 0.375"D
 - LBL-HL** 8.625"W x 3.313"H x 0.375"D
 - LBL-HV** 8.625"W x 3.313"H x 1.063"D
- HOUSING
 - 7.4"W x 2.5"H x 3"D



Catalog No.

Face Plate	Finish	LED*
LBL-WL White Acrylic Lens	WH White	WW Warm White- 3200K
LBL-HL Horizontal Louver	BZ Bronze	AM Amber- wildlife friendly
LBL-HV Horizontal Visor	BN Brushed Nickel (Electroplate)	BL Blue

LBL-H Weatherproof Housing, sold separately

Typical Brick Light Cat. No: **LBL-HV-BZ-WW**

*Amber and Blue, special order

IP65

UL US LISTED