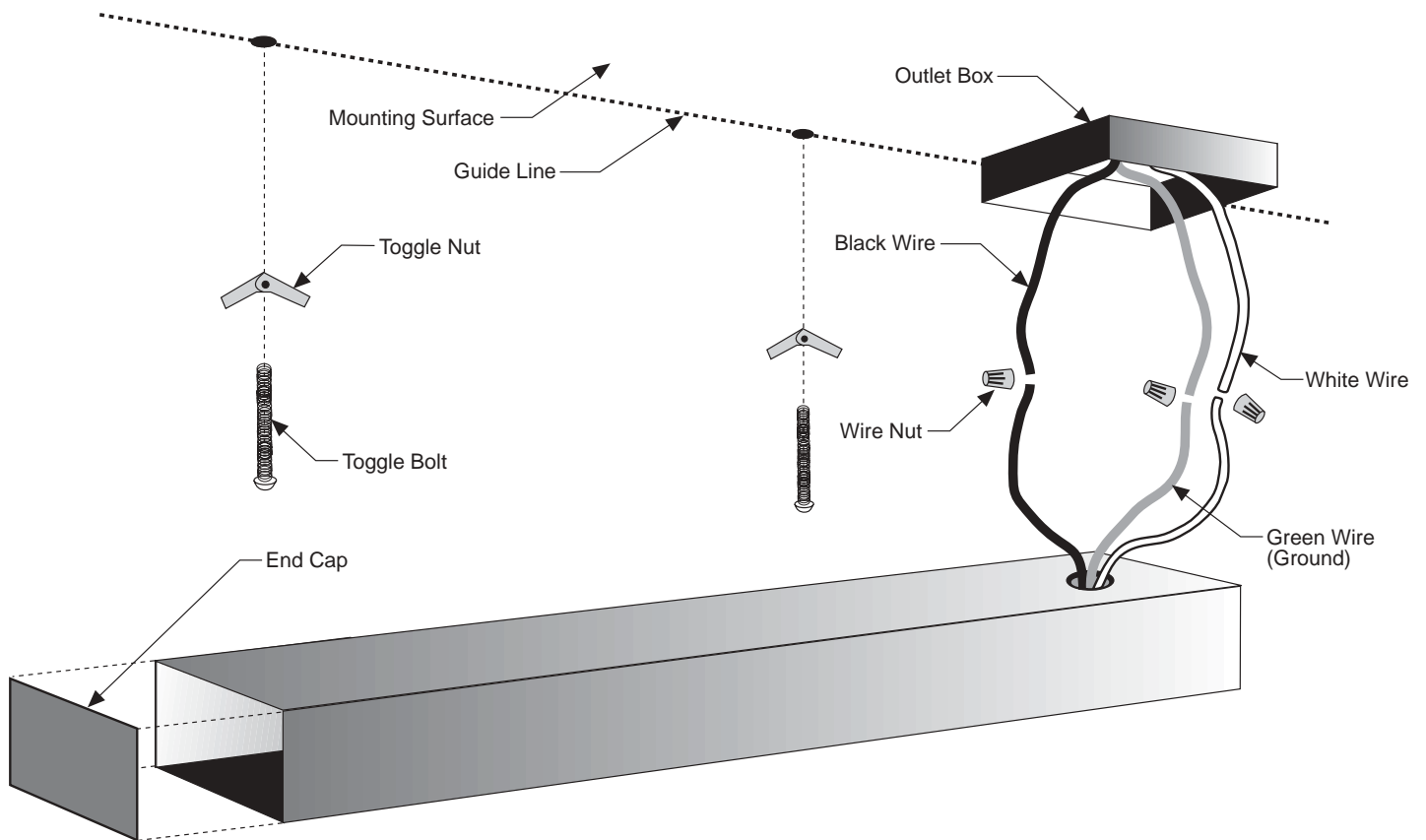


TECHTRAC™

MOUNTING AND WIRING INSTRUCTIONS



1. Draw Guidelines on ceiling to give a complete layout of the finished TECHTRAC installation. Pay particular attention to corners and junctions.
2. Each track section is secured with appropriate hardware.
3. Connect TECHTRAC to the ceiling service with the enclosed hardware. Proper grounding is required to all metal parts.

starfire™
LIGHTING INCORPORATED

7 Donna Drive, Wood-Ridge, NJ 07075
800-443-8823 FAX: 201-438-9541

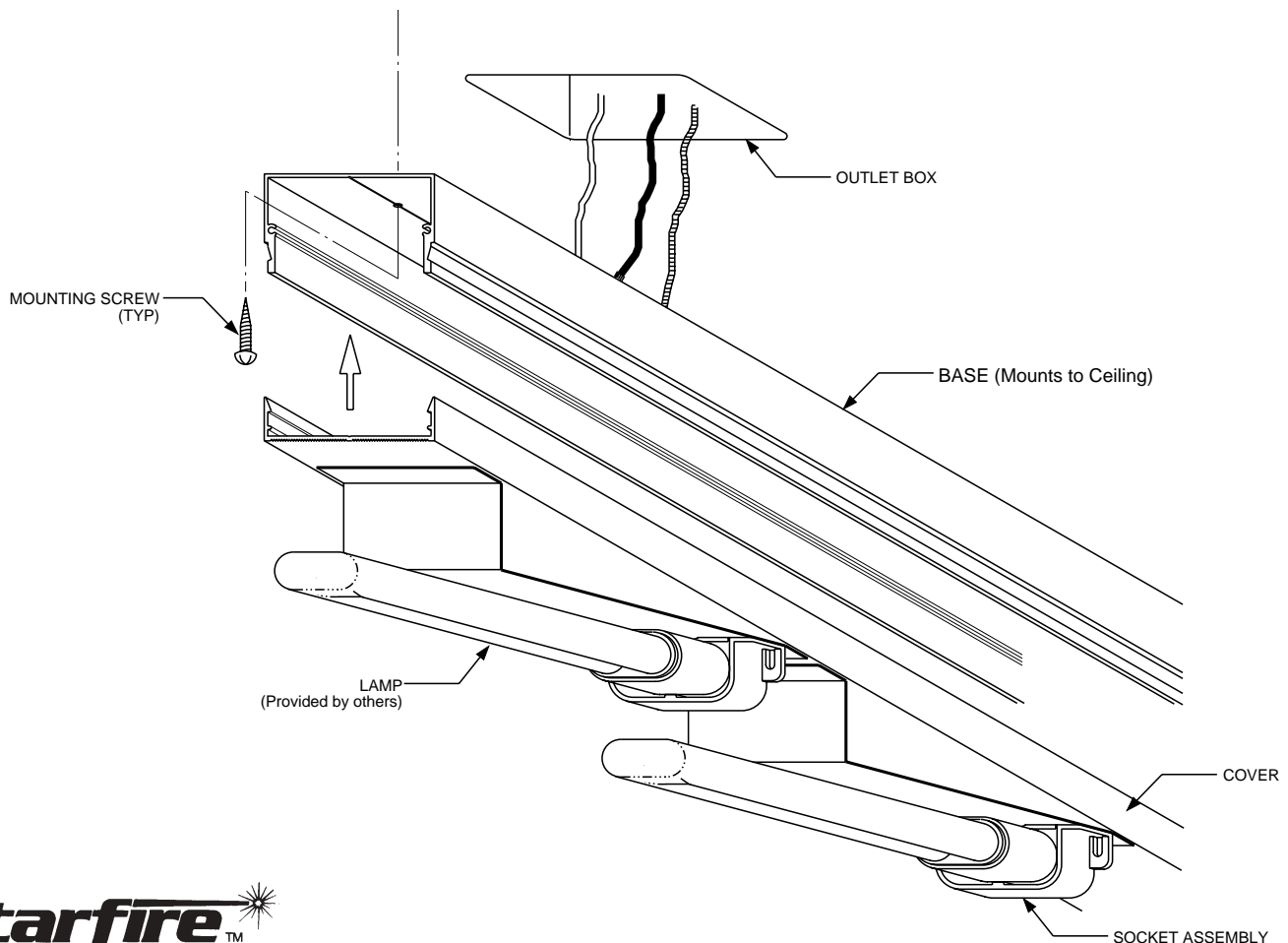
TECHTRAC™ 230 OVR SERIES

INSTALLATION INSTRUCTIONS

- TECHTRAC™ 230 OVR provides a configuration using inclined compact fluorescent lamps which overlap preceding sockets. This produces a shadowless light distribution in coves and similar applications. Installation should provide sufficient space for relamping.
- This fixture is Underwriters Laboratories listed. When installing fixture, conform to all applicable codes.
- **TURN POWER OFF BEFORE BEGINNING INSTALLATION.**

MOUNTING INSTRUCTIONS

1. Draw guidelines on ceiling to give a complete layout of the finished TECHTRAC™ installation. Pay particular attention to corners and junctions.
2. Remove Cover from Base of assembled TECHTRAC™. Locate and drill holes as required for electrical supply leads. Locate and secure individual sections of Base to ceiling using Mounting Screws provided or other appropriate hardware (Center depression in base can be used as a drilling guide).
3. Make electrical connections: white fixture lead to white supply lead; black fixture lead to black supply lead. Connect FIXTURE GROUND lead to suitable ground in Outlet Box. Use Wirenuts to make connections. Push connections into TECHTRAC™ Base extrusion.
4. Reinstall Cover on this section of TECHTRAC™ being careful not to pinch wiring.
5. Continue in same manner for subsequent sections. Through wiring electrical connections can be made through holes made in End Caps or from individual Outlet Boxes. If through wiring is expected, End Caps can be ordered from factory with KO's (or drilled in field as required). Do not exceed the maximum current limit for a circuit when through wiring.
6. Install Lamps (provided by others).



starfire™
LIGHTING INCORPORATED

7 Donna Drive, Wood-Ridge, NJ 07075
800-443-8823 FAX: 201-438-9541