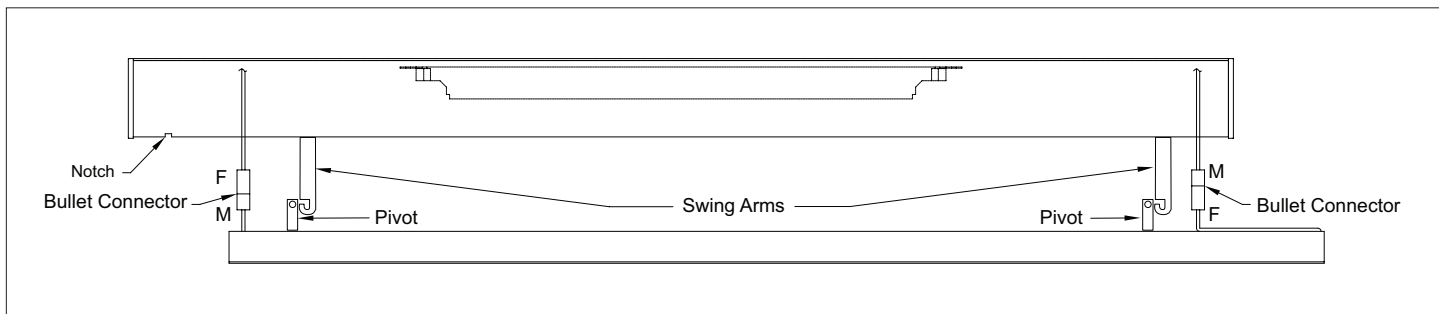


1" LED Recessed Mount for Wet Locations Series VLNW1

Wet Location Recessed Mount with Internal Driver

Installation Instructions

Figure 2



Note

- 1) Bullet Connectors are configured so that they can only be reconnected in the correct polarity.
- 2) Lightig modules and housings are precision cut to length as a matching set. Always return Lighting Modules to their designated housings.

Surface mount

With lighting modules removed remove Top Mounting bracket. Position fixture against blocking and screw into blocking. Use existing holes for Top bracket and casketed screw (by others)

Mounting RGLWWW DFPW

If Top-Mount Conduit – Pull conduit down to allow connection. Remove compression nut and slip over conduit. Raise housing and insert conduit fully into connector. Slide compression nut onto fitting and tighten fully.

Push conduit back into ceiling and screw housing into blocking through holes equipped with gaskets. Use suitable screws by others.

Do not drill any holes in housing – It will void the water tight integrity.

If End-Mount Conduit – Attach housing to ceiling, then connect conduit to housing.

Make electrical connections per chart.

Wiring

Wiring RORU Chart

Function	Standard 0-10V Dimming
Switched Line (120-277V)	Black
Neutral	White
Ground	Green
0-10V (+)	Purple
0-10V (-)	Grey

WIRING MUST CONFORM TO LOCAL CODES

Figure 3

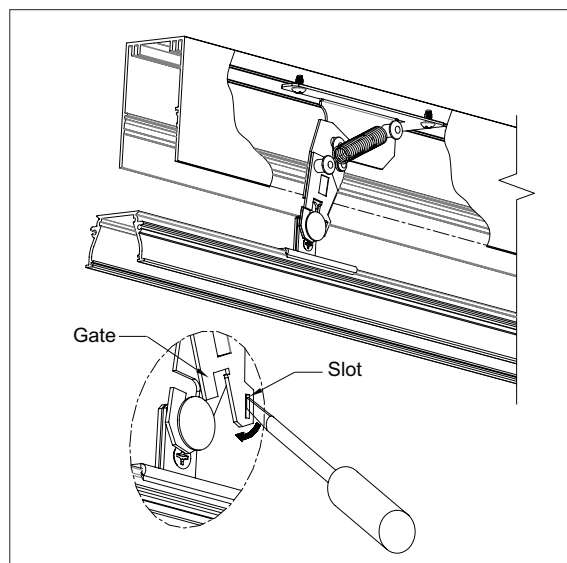
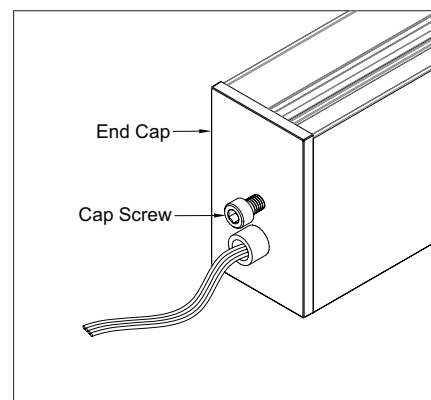


Figure 4



1" LED Recessed Mount for Wet Locations Series VLNW1

Wet Location Recessed Mount with Internal Driver

Installation Instructions

Single Section – Reattach lighting module to the housing by reversing the steps associated with Figures 2 & 3.

Note: The module will only install in one direction allowing the Bullet Connectors to mate and the Swing Arms to attach to the Pivots. When complete, swing lighting module into the closed position.

Multi-Section – Refer to section labels to properly match sections and ends.

Detach lighting module from new section and as described above (Refer to Figures 2 & 3).

Remove the cap screw from the new section end cap (Fig. 4).

Multi-Section Wiring (continued)

Raise new housing into place and pass loose wire into hole on prior section.

(Refer to Fig. 5) From the inside of prior section, insert the cap screw into the new section and tighten with a ball end Allen driver (one is provided with each installation). Align the edges of the end caps and fully tighten the screw. Screw new section housing into blocking as described above.

Make Electrical Connections

Inside the prior section is a connector with bus wires that are already attached (Fig. 6 – A). Insert the loose wires into the connector ensuring that all colors match. Wires are pre-stripped to the correct length. Push wires fully into connector (Fig. 6 – B).

Tuck the wires and connector into the housing. If this is last section, reattach the lighting module as described above and swing closed. If there are additional sections, leave lighting module out and repeat steps above.

Service and Repair

DO NOT attempt to repair fixtures without first contacting the factory. Improper repair actions will void the warranty and may result in damage to the fixture components. Driver and LED components are custom configured at the factory. Generic replacements CANNOT be used. If any parts need replacing, obtain from factory; properly configured for each fixture.

If directed to make a repair, TURN OFF POWER to the fixture before disassembly.

Figure 5

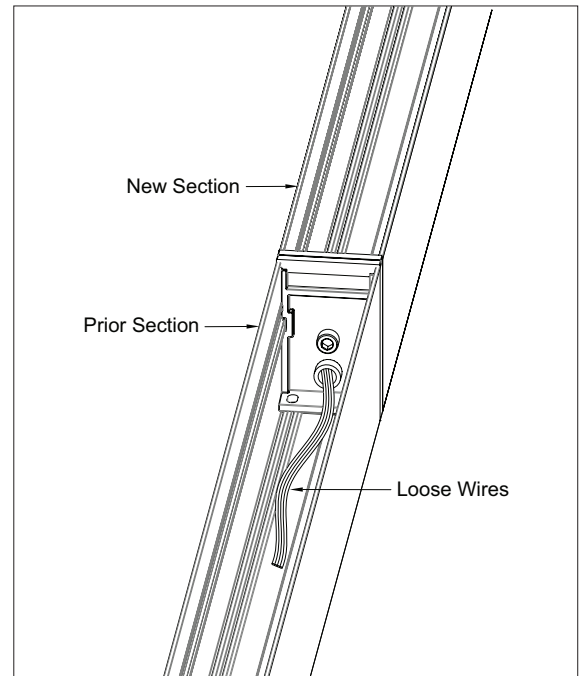


Figure 6

