

4" LED Recessed Curve Slot

LED

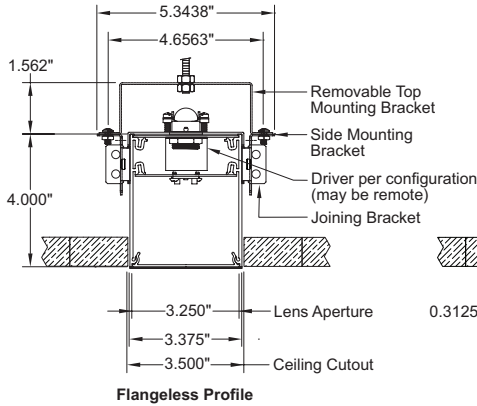


LED Curve Slot – Low Profile
with Flush Snap-in Lens

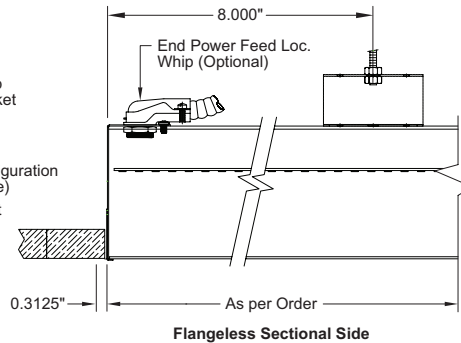
CVL4

Job Name

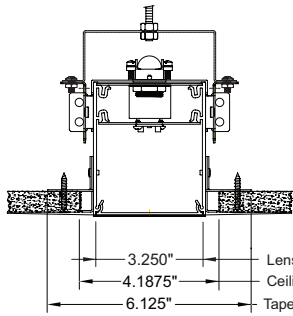
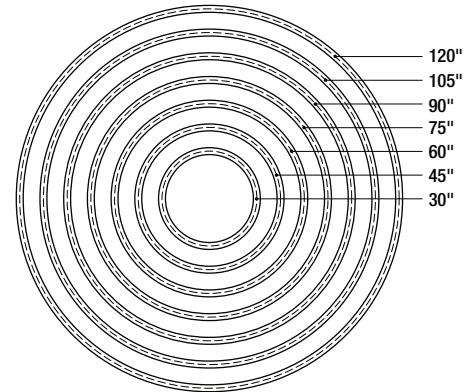
Fixture Type



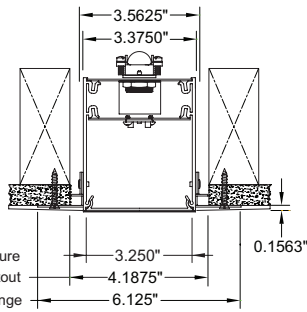
Flangeless Profile



Standard Radius
Measured to Center Line of Fixture



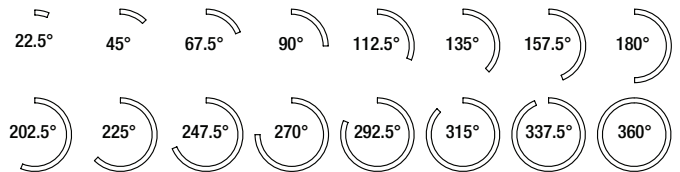
Plaster Flange Above Ceiling



Plaster Flange Below Ceiling

Standard Arcs

Available in all Radii including Full Circle



Curve Slot Segment Order Guide

CVL4- L									-W-
CRI	Color Temp	Output	Dimming	Radius (")	Arc (°)	Ceiling Trim	Segment	Whip	
8 80+	27 2700K (90 CRI only)	S Standard	S Std. 0-10V 1%	30 45	22.5 45 67.5	PA Plaster Flange Above Ceiling	B Beginning	N No Whip	
9 90+	30 3000K	H High	L Lutron ⁽¹⁾	60 75	90 112.5 135	PB Plaster Flange Below Ceiling	M Middle	W Standard Whip	
R RGB & RGBW	35 3500K	M Maximum	D DALI 1%	90 105	157.5 180 202.5	X Flangeless	E End	C Chicago Whip	
	40 4000K	Custom: Specify Lm/Ft ⁽¹⁾	P PoE ⁽¹⁾	120	225 247.5 270		S Stand alone		
	TW 2700K - 6500K	F Fixed for RGB & RGBW	W Wireless ⁽¹⁾	Custom: (24" & Up)	292.5 315 337.5				
	GB RGB Color		X DMX for RGBs		360				
	G2 2700K RGBW				Custom: Cxxx				
	G3 3000K RGBW								
	G4 4000K RGBW								

Product Code Example: **CVL4-L830HS-30-45-PA-B-W-N**

Linear Slot Segment Order Guide (if needed)

VL4- CL								-W-
CRI	Color Temp	Output	Dimming	Length (")	Ceiling Trim	Segment	Whip	
8 80+	27 2700K (90 CRI only)	S Standard	S Std. 0-10V 1%	Nominal: 24 36 48	PA Plaster Flange Above Ceiling	B Beginning	N No Whip	
9 90+	30 3000K	H High	L Lutron ⁽¹⁾	60 72 84	PB Plaster Flange Below Ceiling	M Middle	W Standard Whip	
R RGB & RGBW	35 3500K	M Maximum	D DALI 1%	96 (see Page 2)	X Flangeless	E End	C Chicago Whip	
	40 4000K	Custom: Specify Lm/Ft ⁽¹⁾	P PoE ⁽¹⁾	Custom: Cxxx (in inches)		S Stand alone		
	TW 2700K - 6500K	F Fixed for RGB & RGBW	W Wireless ⁽¹⁾					
	GB RGB Color		X DMX for RGBs					
	G2 2700K RGBW							
	G3 3000K RGBW							
	G4 4000K RGBW							

Product Code Example: **VL4-CL830SH-72-PA-M-W-N**

⁽¹⁾ Specify – Factory to confirm



STARFIRE LIGHTING, INC.
7 Donna Drive, Wood-Ridge, NJ 07075
starfirelighting.com

P 201.438.9540
F 201.438.9541

All designs and drawings are the property of STARFIRE LIGHTING, INC. We reserve the right to make changes to specifications and approved designs at any time without notice to facilitate manufacturing methods to the extent that such changes do not compromise design integrity. All performance specifications are subject to +/- 10% deviation.

LED Recessed Curve Slot – Flush Snap-in Lens

CVL4

Recessed LED Curve Slots easily join with our linear recessed slots to create virtually any illuminated shape or pattern. Curve Slots utilize high performance LED boards and flush snap-in diffusion lenses.

Features

- Starfire's proprietary EvenGlow™ system provides uniform illumination from end-to-end without lamp imaging, bright spots or shadows
- Seven standard radii from 30"–120"
- Custom radii from 24" and up
- Small standard arc increments 22.5°–360° allow for the creation of virtually any curved shape
- Custom arcs at any angle
- Seamlessly joins to Starfire 4" linear slots and X, T, & L shaped slot connectors with matching lens illumination and dimming
- Exceptional lumen per watt efficiency
- High efficiency, low cost, Tunable White option and RGB & RGBW options
- High performance acrylic flush snap-in lens

Fixture Specifications

- Housing/Trim: Heavy-duty extruded aluminum
- Finish: White (std), custom available
- Weight: Approx. 3.4 lbs. per linear foot
- Consult factory for RGB specifications
- UL Listed, (indoor non-condensing) & CCEA Approved

Electrical

- Power consumption: Per specification based on LED configuration
- Input Voltage: 120-277V universal driver
- Ambient operating range: -4 °F to +100 °F
- Integral electronic drivers (may be external depending upon radius and driver type. Consult factory)
- Integral wiring bus between fixture sections
- Drivers with full dimming range at any output choice
- 1% Dimming: 0-10V standard (included), consult factory for other options

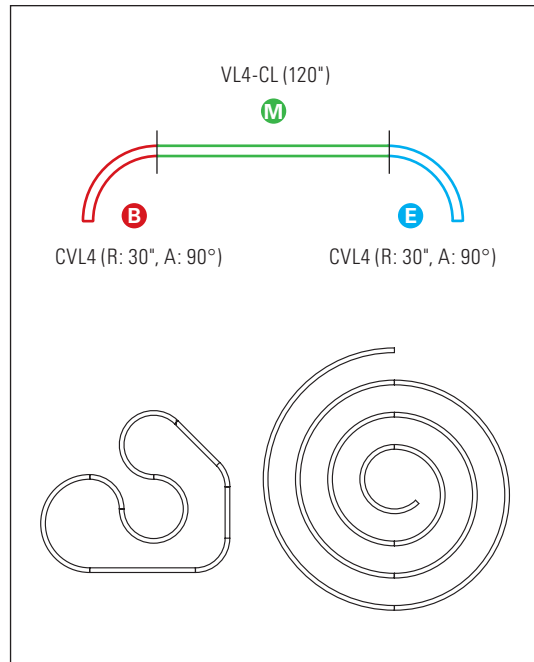
Mounting

- Universal mounting brackets provided. Contact factory for alternate mounting
- Easy Access wiring compartment – all connections can be made without disassembling the fixture. 7/8" knockouts provided for top or end.
- Consult factory for multi-segment fixtures

Options (Consult factory)

- 6 ft armored whip, may be factory installed
- Occupancy sensor, daylight control module
- HVAC, fire sprinkler, surveillance or public address systems integration
- EM pack in 4ft segments. Delivers 800+ total lumens for 90 mins. May be remote in tight radius curves, consult factory
- Wireless controls

Multi-Segment Examples



Segment Key

- B** Beginning - Starts with End Cap
- M** Middle - No End Cap
- E** End - Ends with End Cap
- S** Stand Alone - Ends Cap both Ends

BEGINNING to END is always clockwise on a segment

Straight Segment Overall Length

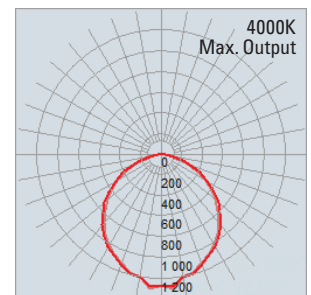
Nominal	Actual
24"	23.5"
36"	34.5"
48"	45.5"
60"	56.5"
72"	72"
84"	84"
96"	95"

Consult factory for fixture installation dimensions

White LED Strip

High output edge-to-edge and end-to-end illumination

- Choice of lumen output levels: Standard, High, Maximum and Custom (between 200 and 900 Lm/Ft)
- LED Efficiency: Up to 160 Lm/Wt at Maximum output and 180 Lm/Wt at Standard power (at 80+ CRI)
- Proprietary in-house, ultra-tight Vf binned LEDs for uniform intensity
- 2700K, 3000K, 3500K, 4000K and Tunable White: 2700K-6500K
- CRI: 80+ or 90+
- Color Consistency: Equal or better than 3 SCDM with chip mixing
- L70: 50,000+ hours at Maximum output
- 5 year limited warranty*



Curve Segment Efficacy

Output Setting	80 CRI		4000K		3500K		3000K		2700K (90 CRI)	
	Lm/Ft	Wt/Ft	Lm/Wt	Wt/Ft	Lm/Wt	Wt/Ft	Lm/Wt	Wt/Ft	Lm/Wt	
S Standard	500	4.8	103.4	4.9	101.3	5.2	97.1	5.9	85.1	
H High	750	7.7	98.0	7.8	95.9	8.2	91.7	9.6	78.4	
M Maximum	900	9.5	94.8	9.7	92.7	10.2	88.5	12.1	74.4	

* See Starfire website for Product Limited Warranty



STARFIRE LIGHTING, INC.
7 Donna Drive, Wood-Ridge, NJ 07075
starfirelighting.com

P 201.438.9540
F 201.438.9541

All designs and drawings are the property of STARFIRE LIGHTING, INC. We reserve the right to make changes to specifications and approved designs at any time without notice to facilitate manufacturing methods to the extent that such changes do not compromise design integrity. All performance specifications are subject to +/- 10% deviation.

