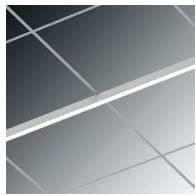


1" VersaLux LED Grid Mount System

LED

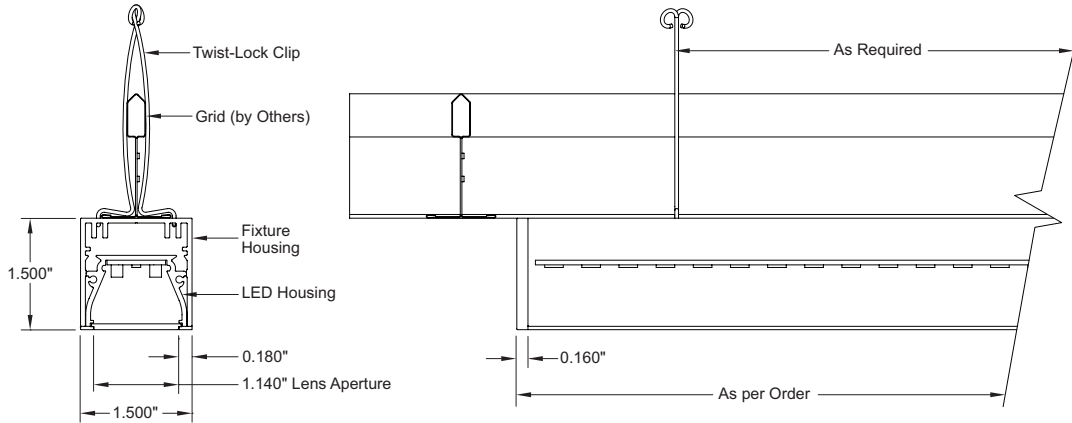


Linear Narrow Profile LED Grid Mount System with Flush Lens and External Driver

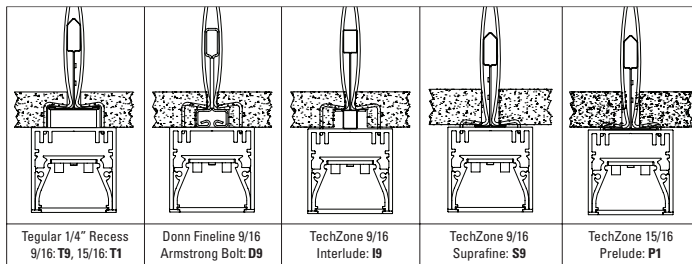
GDX1

Job Name _____

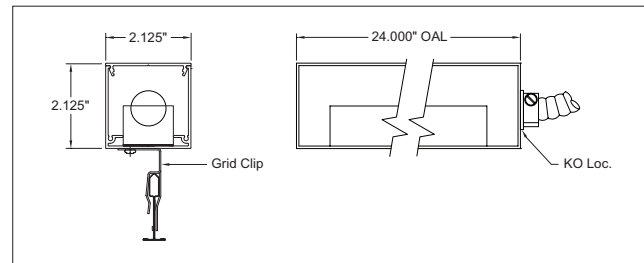
Fixture Type _____



Grid Type Options



Remote Driver Enclosure



GDX1-L								-W-
CRI	Color Temp	Output	Dimming ⁽²⁾	Lens	Length (inches)	Grid Type		Whip
8 80+ 9 90+	27 2700K 30 3000K 35 3500K 40 4000K TW 2700K - 6500K	S Std. H High M Max. <i>Custom: Specify Lm/Ft⁽¹⁾</i>	S Std. 0-10V 1% H ECO 1% D DALI 1% P POE ⁽¹⁾ W Wireless ⁽¹⁾	DF Diffusion BW Batwing LS Louver Specular SC Solid Cover <i>(If SC, Enter: NA for CRI, CT, Output and Dimming)</i>	<i>Nominal:</i> 24 30 48 60 96 120 144 (see Table) <i>Custom:*</i> Cxxx (in inches)	D9 9/16 Donn Finline I9 9/16 Interlude S9 9/16 Suprafine P1 15/16 Prelude T9 9/16 Tegular 1/4" Recess T1 15/16 Tegular 1/4" Recess		<i>(Finish)**</i> N No Whip W Standard Whip C Chicago Whip

Product Code Example: **GDX1-L830HS-DL-C360-S9-W-N**

A low profile, narrow aperture, linear grid mount lighting system comprised of modular components. Designed for the freedom and flexibility to create virtually any light pattern on grid ceilings.

Features

- Segments attach to all standard grid members via Starfire's proprietary Twist-Lock clips
- Hub connectors allow for limitless creative patterns in illuminated and non-illuminated versions
- Segments are easily removed and reinstalled leaving the grid undamaged
- Exceptional lumen per watt efficiency
- High output and cost effective
- High performance acrylic flush diffusion lens with baffle option. Non-illuminated linear segments available.

Fixture Specifications

- Housing: Heavy-duty extruded aluminum, cast aluminum end caps with no visible hardware
- Finish: White (std), custom available
- Weight: Approx. 1 lb. per linear foot
- UL Listed, (indoor non-condensing)

Electrical

- Power consumption: Per specification based on LED configuration
- Input Voltage: 120-277V universal driver
- Ambient operating range: -4 °F to +100 °F
- Remote electronic driver with full dimming range at any output choice
- Class 2 plenum wiring between fixture and remote driver
- Dimming: 0-10V 1% standard, contact factory for options

Mounting

- Attaches to grid with tool-less Twist-Lock clips provided
- Remote driver enclosure can support one or more fixture segments (one, std)

Options (Consult factory)

- Remote occupancy sensor, daylight control module
- Remote EM pack in 4ft segments. Delivers 675 lumens for 90 mins. Specify location(+/- 2ft) at time of order

LED Specifications/Photometry: Page 2

Hub Connectors: Page 3

* Applies to continuous runs only, no intersections or hub.
** White: Standard finish. Specify custom color.

⁽¹⁾ Specify - Factory to confirm
⁽²⁾ 1% PWM dimming. If CCR is required, contact factory.



STARFIRE LIGHTING, INC.
7 Donna Drive, Wood-Ridge, NJ 07075
starfirelighting.com

P 201.438.9540
F 201.438.9541

All designs and drawings are the property of STARFIRE LIGHTING, INC. We reserve the right to make changes to specifications and approved designs at any time without notice to facilitate manufacturing methods to the extent that such changes do not compromise design integrity. All performance specifications are subject to +/- 10% deviation.

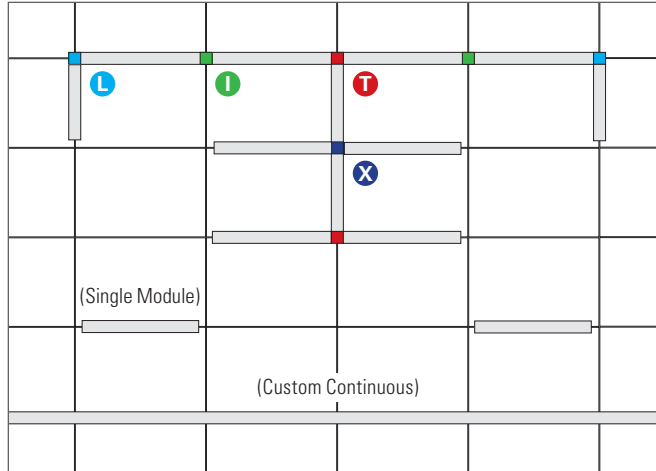
VersaLux LED Direct Grid Mount System – Flush Lens with External Driver

GDX1 LED

Starfire grid mount lighting system surface mounts to virtually any grid structure. Each lighting module is perfectly sized to attach to grid members at standard spacing. Lighting patterns and continuous runs are achieved with the use of hub connectors which are illuminated and non illuminated.

Hub Connectors

- L** L-Hub
- T** T-Hub
- X** X-Hub
- I** Inline Hub



Fixture Dimensions

Nominal	Actual
24"	22.50"
30"	28.50"
48"	46.50"
60"	58.50"
96"	94.50"
120"	118.50"
144"	142.50"
Hub	1.5" x 1.5"

Custom/Continuous:

Specify end-to-end length.
(Length does not include Hubs)

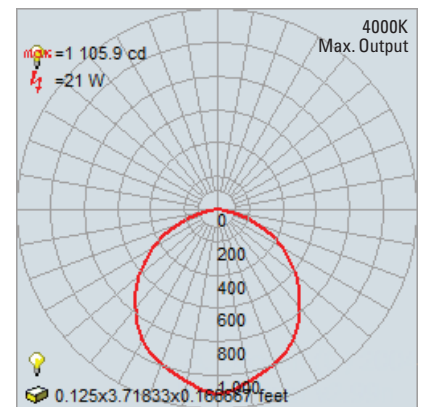
LED Strip

High output edge-to-edge, end-to-end illumination

- Choice of lumen output levels:
 - S:** Standard, **H:** High, **M:** Maximum, **C:** Custom (between 250 and 800 Lm/Ft)
- LED Efficiency: Up to 160 Lm/Wt at Maximum output and 180 Lm/Wt at Standard power (at 80+ CRI)
- L70: 50,000+ hours at Maximum output
- 2700K, 3000K, 3500K, 4000K and Tunable White: 2700K-6500K
- CRI: 80+ or 90+
- Color Consistency: Equal or better than 3 SCDM with chip mixing
- UL Listed, (indoor non-condensing)
- 5 year limited warranty*



Diffusion Lens



Fixture Efficacy – Diffusion Lens

Output Setting	Lm/Ft	4000K		3500K		3000K		2700K	
		Wt/Ft	Lm/Wt	Wt/Ft	Lm/Wt	Wt/Ft	Lm/Wt	Wt/Ft	Lm/Wt
S Standard	250	1.7	144.1	1.8	141.0	1.8	135.8	2.0	122.3
H High	500	3.6	138.7	3.7	136.0	3.8	130.5	4.3	115.6
M Maximum	750	5.6	133.0	5.7	130.6	6.0	125.1	6.9	108.9

Performance for nominal 4 foot length or greater (Std. 6ft)

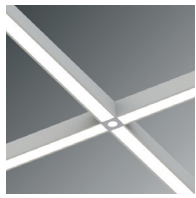
* See Starfire website for Product Limited Warranty



STARFIRE LIGHTING, INC.
7 Donna Drive, Wood-Ridge, NJ 07075
starfirelighting.com

P 201.438.9540
F 201.438.9541

All designs and drawings are the property of STARFIRE LIGHTING, INC. We reserve the right to make changes to specifications and approved designs at any time without notice to facilitate manufacturing methods to the extent that such changes do not compromise design integrity. All performance specifications are subject to +/- 10% deviation.



Illuminated and Non-illuminated Hub Connectors for 1" Grid Mount Lighting System

GHD1 & GHB1

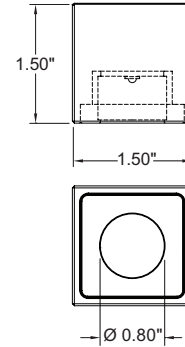
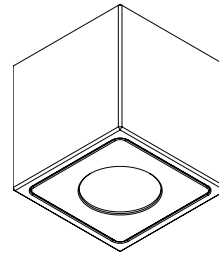
Job Name

Fixture Type

Illuminated Hub Order Guide

LED DOWNLIGHT						
GHD1-	<input type="text"/>	-D	<input type="text"/>	<input type="text"/>	<input type="text"/>	-W
Hub Connectors	CRI	Color	Output	Dimming	Lens	<i>(Finish)*</i>
L L-Hub T T-Hub X X-Hub I Inline Hub	9 90+	27 2700K 30 3000K 35 3500K 40 4000K	S Std. H High M Max. <i>Custom: Specify Lumens⁽²⁾</i>	S Std. (1%) 0-10V H Lutron Hi-Lume (1%)	S 25° Spot F 40° Flood	

Product Code Example: **GHD1-T-D930SSS-W**



The modular design of the grid system utilizes L, T, X and I hub connectors to create intricate patterns of light along all standard ceiling grid systems. Hubs are available in both illuminated and non-illuminated versions.

Illuminated hubs utilize state of the art technology, producing enormous amounts of light for their miniature size.

Mix illuminated and non-illuminated hubs and position accent lighting exactly where required.

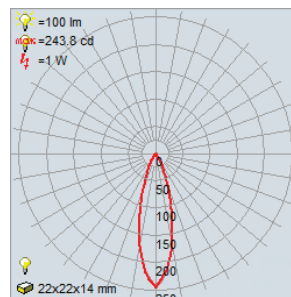
Features

- Hubs seamlessly blend into fixture surface
- Factory programmable custom light output up to 750 lm/hub
- Spot and flood beam angles
- 90+ CRI
- Extremely efficient, up to 90 lm/wt at 90 CRI
- 2700K, 3000K, 3500K and 4000K
- Hubs can be circuited independent of the linear segments of grid system
- 0-10V dimming standard, other systems available
- 50,000+ hours

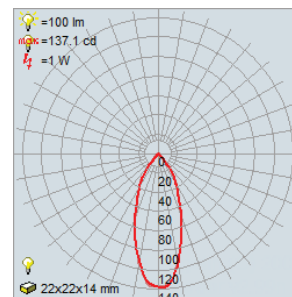
Module Efficacy – 25° Spot or 40° Flood

Output Setting	90 CRI		4000K		3500K		3000K		2700K	
	Lm/Ft	Wt/Ft	Lm/Wt	Wt/Ft	Lm/Wt	Wt/Ft	Lm/Wt	Wt/Ft	Lm/Wt	
S Standard	250	2.8	90.1	2.9	87.3	3.0	84.5	3.1	80.2	
H High	500	5.7	87.0	5.9	84.2	6.1	81.3	6.5	77.0	
M Maximum	750	8.3	84.5	8.6	81.6	8.9	78.8	9.4	74.5	

25° Spot



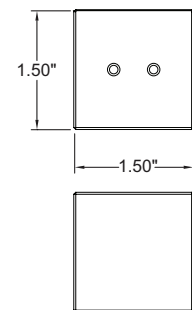
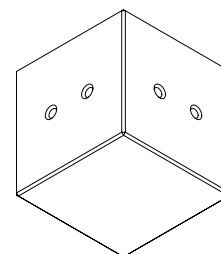
40° Flood



Blank Non-Illuminated Hub Order Guide

GHB1-	<input type="text"/>	-W
Hub Connectors	<input type="text"/>	<i>(Finish)*</i>
L L-Hub T T-Hub X X-Hub I Inline Hub		

Product Code Example: **GHB1-T-W**



*White: Standard finish. Specify custom color.

(1) 1% PWM dimming. If CCR is required, contact factory