

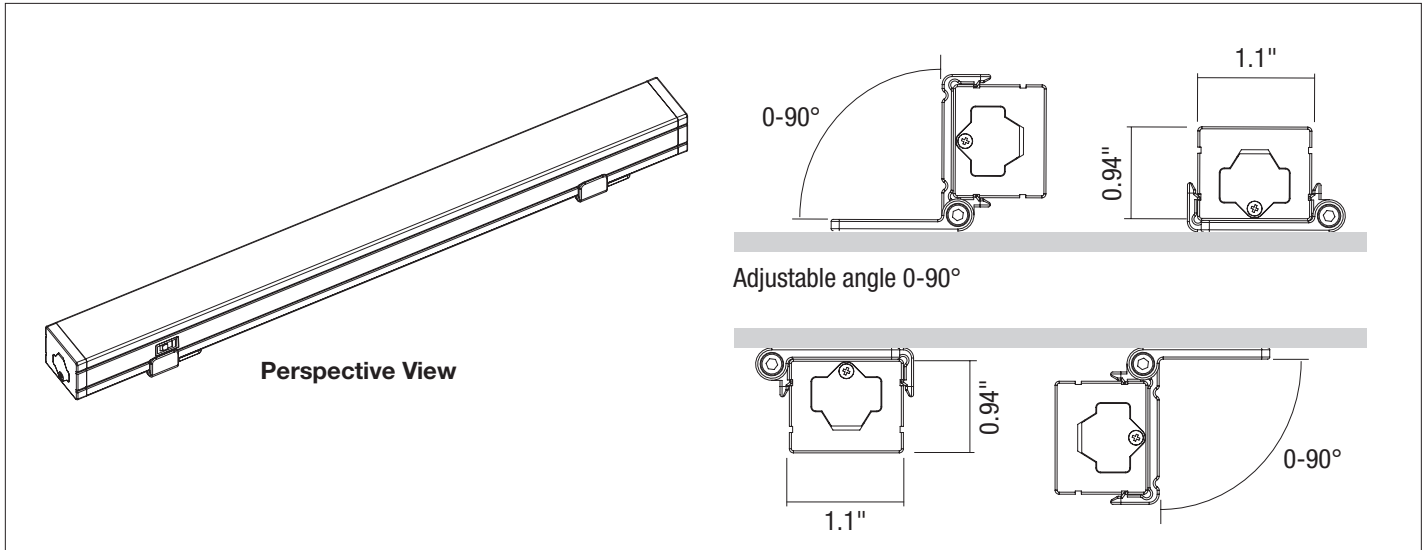
# LED Light Bar

Job Name:

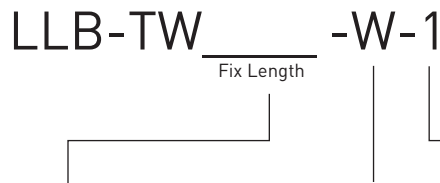
Fixture Type:

LED LINEAR LIGHTING SYSTEM WITH CCT SELECTION SWITCH

Series LLB-TW



## Ordering Guide



Length	Finish	Voltage
<input type="checkbox"/> 12 (12.375")	(White)	(120V)
<input type="checkbox"/> 16 (16.375")		
<input type="checkbox"/> 24 (24.375")		
<input type="checkbox"/> 32 (32.375")		

## Description

LED Light Bar is a 120 volt, low profile linear lighting system with frosted lens. Modular design for maximum flexibility and quick installation allows for continuous run lengths using In-line Connectors or optional Flexible Cable Connectors. Each module contains a side accessible switch for individual color temperature settings of 3000K, 3500K or 4000K.

## Features

- LED Type: Ultra Bright 2835 Tunable White
- Integral driver with switch for color selection
- In-line Connector for linkable end-to-end connection.
- Linkable to form varying lengths.
- Fully dimmable with electronic low voltage dimmers (Lutron DVCL 153), consult factory for others.
- Hardwire or portable (Portable Cord and Plug Set, sold separately).

## Fixture Specifications

Dimensions: (Spec)"L x 1.10"W x 0.91"H  
 Weight: Approx. 0.25 lbs. per linear foot  
 Max. Continuous Run Length: 45ft  
 Wattage: 10 W/Ft  
 Lumen Output: 750 Lm/Ft  
 Lamp Life: 50,000+ hours  
 CRI: 90+  
 Beam Angle: 120°

## Electrical

- Power consumption: Per specification.
- 300W max. connected load per power feed.
- Ambient temperature 90 °F. maximum.

## Mounting

- 0° - 90° adjustable and lockable mounting brackets included. Contact factory for special conditions.

## Optional Components

72" Power Cord (3-Wire Direct)

- LLB-P7-W (White)

72" Portable Cord & Plug Set (3-Prong w/ Ground)

- LLB-PC-W (White)

Flexible Cable Connectors  
 (for linkable connection)

- 6"  LLB-F6W (White)  
 12"  LLB-F1W (White)  
 24"  LLB-F2W (White)  
 72"  LLB-F7W (White)

## Junction Boxes - White

- LLB-JBW Direct Wire w/ KO's and Rocker Switch  
 LLB-JBS Small Direct Wire no Rocker Switch

Occupancy Sensor - White (Consult factory)

- LLB-OCW Direct Wire w/ Rocker Switch

## Electrical Data

Length	12.375"	16.375"	24.375"	32.375"
Wattage	10	13	20	26
Total Lumens	750	950	1500	2000

Performance measured at 3000K



All designs and scaled drawings shall remain the property of STARFIRE LIGHTING, INC., and may not be reproduced or transmitted without expressed written consent. STARFIRE LIGHTING, INC. reserves the right to make changes on approved designs to facilitate manufacturing methods to the extent that such changes do not compromise design integrity.