

# 1" VersaLux LED Pendant

LED

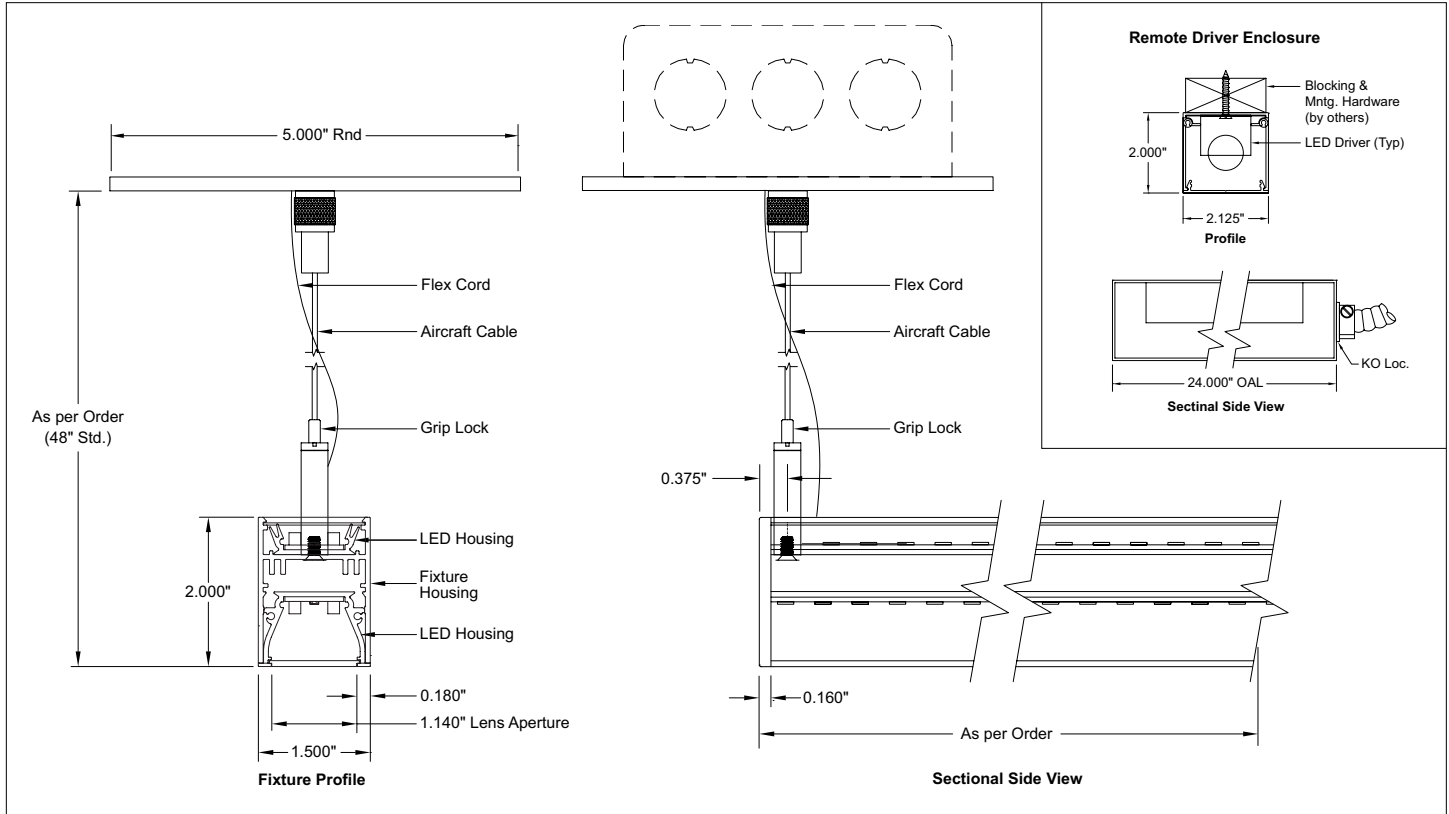


Linear Narrow Profile  
LED Direct/Indirect Pendant  
with Flush Lens and External Driver

PHX1 LED

Job Name \_\_\_\_\_

Fixture Type \_\_\_\_\_



PHX1-L	DIRECT			INDIRECT			FIXTURE			-W
	CRI	Color Temp	Output	CRI	Color Temp	Output	Lens	Dimming <sup>(2)</sup>	Length (inches)	
	8 80+ 9 90+ <sup>(1)</sup>	27 2700K 30 3000K 35 3500K 40 4000K TW 2700K-6500K	S Std. H High M Max. Custom: Specify Lm/Ft <sup>(1)</sup>	8 80+ 9 90+ <sup>(1)</sup>	27 2700K 30 3000K 35 3500K 40 4000K TW 2700K-6500K	S Std. H High M Max. Custom: Specify Lm/Ft <sup>(1)</sup>	C Clear (Std.) D Diffusion T Batwing	S Std. 0-10V (1%) E Lutron 5 Series (5%) H Lutron Hi-Lume (1%) D DALI (1%) W Wireless <sup>(3)</sup>	Nominal: 24 <sup>(4)</sup> 36 48 60 72 84 96 (see Page 2) Custom: Cxxx (in inches)	

Product Code Example: PHX1-L830H-830S-C-S-C120-W

An ultra-clean line, low profile, narrow aperture direct/indirect linear pendant utilizing high performance LED boards and lenses. Extruded aluminum housing.

### Features

- Starfire's proprietary EvenGlow™ system provides uniform lens illumination from edge-to-edge without lamp imaging, bright spots or shadows at any length
- Fixtures fabricated to any specified length without custom engineering
- Exceptional lumen per watt efficiency
- High efficiency, low cost, dynamic Tunable White option
- High performance acrylic flush lenses. Direct: diffusion, Indirect: choice of clear or batwing pattern
- Future proof LED boards sourced from world's leading suppliers
- Independent power and dimming of direct and indirect circuits

### Fixture Specifications

- Housing: Heavy-duty extruded aluminum
- Finish: White (std), custom available
- Weight: Approx. 1 lb per linear foot
- UL Listed, (indoor non-condensing)

### Electrical

- Power consumption: Per specification based on LED configuration
- Input Voltage: 120-277V universal driver
- Ambient operating range: -4 °F to +100 °F
- Remote electronic driver
- Class 2 plenum wiring between fixture and remote driver
- Drivers with full dimming range at any output choice
- 1% Dimming: 0-10V standard (included), consult factory for other options

### Mounting

- Round canopies (std), square available. Consult factory for special ceiling conditions
- Aircraft cable (std), stem optional. Mounting location 0.375" from end of fixture
- Contact factory for fixture lengths >96"
- Driver enclosure will support one fixture. Contact factory for other configurations

### Options (Consult factory)

- Occupancy sensor, daylight control module

### LED Specifications/Photometry: Page 2

(1) Factory to confirm availability  
(2) 1% PWM dimming. If CCR is required, contact factory  
(3) Specify wireless system  
(4) Available in output levels of 450 lm/ft or greater only



STARFIRE LIGHTING, INC.  
7 Donna Drive, Wood-Ridge, NJ 07075  
starfirelighting.com

P 201.438.9540  
F 201.438.9541

All designs and drawings are the property of STARFIRE LIGHTING, INC. We reserve the right to make changes to specifications and approved designs at any time without notice to facilitate manufacturing methods to the extent that such changes do not compromise design integrity. All performance specifications are subject to +/- 10% deviation.

# VersaLux LED Narrow Profile Direct/Indirect Pendant – Flush Lens with External Driver

## PHX1 LED

### LED Strip

High output edge-to-edge, end-to-end illumination

- Choice of lumen output levels:
  - S:** Standard
  - H:** High
  - M:** Maximum
  - C:** Custom (between 200 and 1000 Lm/Ft)
- LED Efficiency: Up to 160 Lm/Wt at Maximum output and 180 Lm/Wt at Standard power (at 80+ CRI)
- L70: 50,000+ hours at Maximum output
- 2700K, 3000K, 3500K, 4000K and Tunable White: 2700K-6500K
- CRI: 80+ or 90+
- Color Consistency: Equal or better than 3 SCDM with chip mixing
- UL Listed, (indoor non-condensing)
- 5 year limited warranty\*



### Fixture Dimensions

#### Fixture Overall Length\*

Nominal	Actual
24"	22.60"
36"	33.62"
48"	44.65"
60"	55.67"
72"	72.20"
84"	83.22"
96"	94.25"

#### Fixture Length Example:

For a nominal 36" length (33.62" exact): enter **36**  
To order an exact 36" length\*: enter **C36**

Consult factory for fixture installation dimensions

\* Some exact lengths may include unobtrusive lens filler

### Direct - Diffusion Lens

Output Setting	Lm/Ft	4000K		3500K		3000K		2700K	
		Wt/Ft	Lm/Wt	Wt/Ft	Lm/Wt	Wt/Ft	Lm/Wt	Wt/Ft	Lm/Wt
<b>S</b> Standard	<b>250</b>	1.7	144.1	1.8	141.0	1.8	135.8	2.0	122.3
<b>H</b> High	<b>500</b>	3.6	138.7	3.7	136.0	3.8	130.5	4.3	115.6
<b>M</b> Maximum	<b>750</b>	5.6	133.0	5.7	130.6	6.0	125.1	6.9	108.9

Performance for nominal 4 foot length or greater (Std. 6ft)

### Indirect - Clear Lens (Std.)

Output Setting	Lm/Ft	4000K		3500K		3000K		2700K	
		Wt/Ft	Lm/Wt	Wt/Ft	Lm/Wt	Wt/Ft	Lm/Wt	Wt/Ft	Lm/Wt
<b>S</b> Standard	<b>250</b>	1.6	155.1	1.6	152.1	1.7	146.3	1.9	131.8
<b>H</b> High	<b>500</b>	3.3	149.7	3.4	146.8	3.6	140.9	4.0	125.1
<b>M</b> Maximum	<b>750</b>	5.2	144.4	5.3	141.4	5.5	135.5	6.3	118.4

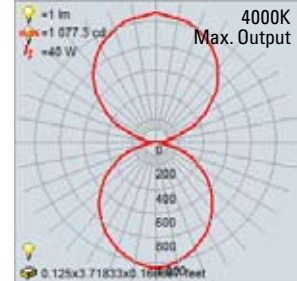
Performance for nominal 4 foot length or greater (Std. 6ft)

### Indirect - Batwing Lens

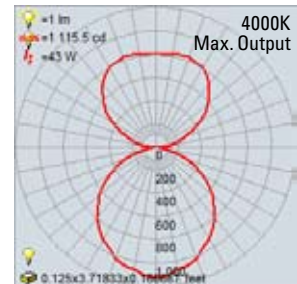
Output Setting	Lm/Ft	4000K		3500K		3000K		2700K	
		Wt/Ft	Lm/Wt	Wt/Ft	Lm/Wt	Wt/Ft	Lm/Wt	Wt/Ft	Lm/Wt
<b>S</b> Standard	<b>250</b>	1.9	134.8	1.9	132.3	2.0	127.1	2.2	114.3
<b>H</b> High	<b>500</b>	3.9	129.5	3.9	126.9	4.1	121.8	4.7	107.6
<b>M</b> Maximum	<b>750</b>	6.0	124.1	6.2	121.6	6.4	116.4	7.4	100.9

Performance for nominal 4 foot length or greater (Std. 6ft)

**Direct:** Diffusion  
**Indirect:** Clear



**Direct:** Diffusion  
**Indirect:** Batwing



\* See Starfire website for Product Limited Warranty



STARFIRE LIGHTING, INC.  
7 Donna Drive, Wood-Ridge, NJ 07075  
starfirelighting.com

P 201.438.9540  
F 201.438.9541

All designs and drawings are the property of STARFIRE LIGHTING, INC. We reserve the right to make changes to specifications and approved designs at any time without notice to facilitate manufacturing methods to the extent that such changes do not compromise design integrity. All performance specifications are subject to +/- 10% deviation.