

2" Louvered Multi-Cell LED Low Profile Direct Pendant

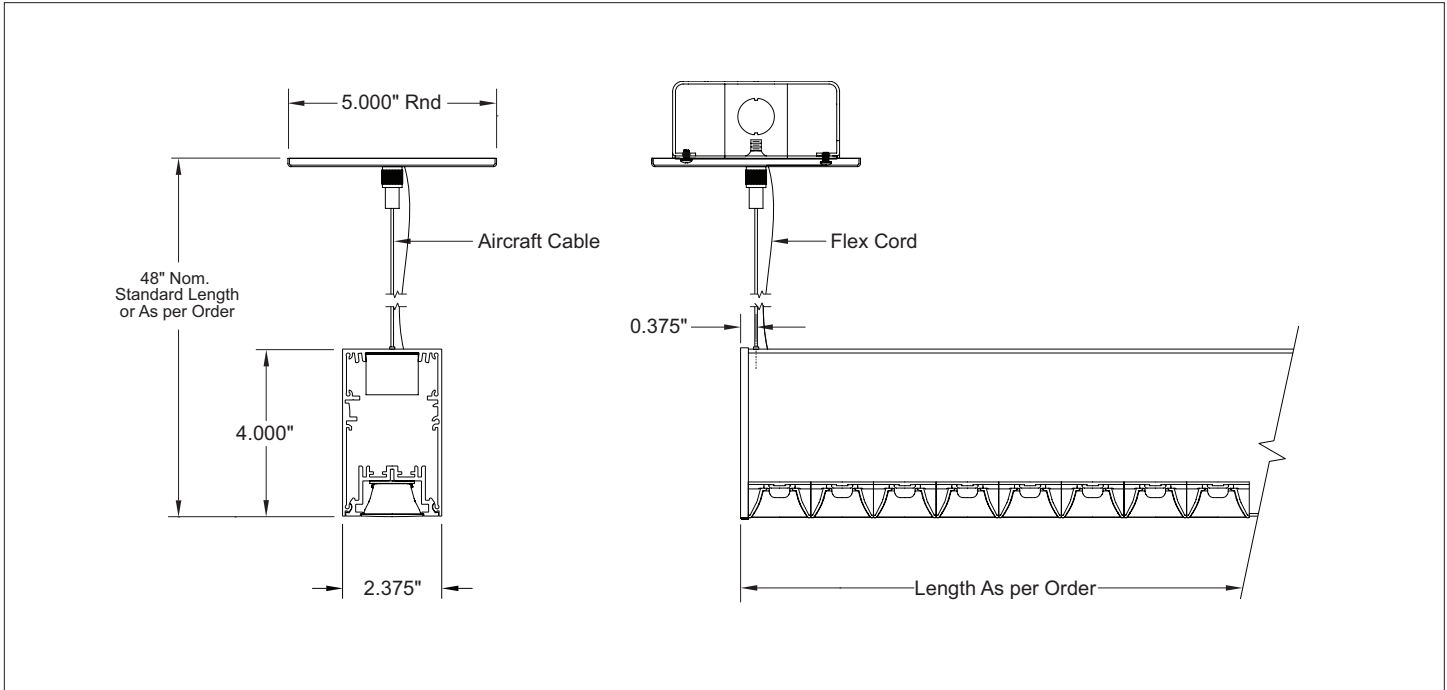
LED



Linear Direct Pendant with Multi-Cell LEDs and Integrated Louver

PDC2

Job Name
Fixture Type



CRI	Color Temp	Output	Dimming	Beam Angle	Louver Finish	Length(")	Fix. Finish	Mounting	Canopy	Canopy Finish
8 80+ 9 90+	27 2700K (90 CRI only) 30 3000K 35 3500K 40 4000K TW Tunable White ⁽¹⁾⁽²⁾	200 400 600 800 1000 1200 <i>Specify: Exact Lm/Ft⁽³⁾</i>	S Std. 0-10V 1% L Lutron ⁽³⁾ D DALI 1% P PoE ⁽³⁾ W Wireless ⁽³⁾ 2 2 Wire (Phase cut) T Step (10% - 70%)	3C 35° Clear 3D 35° Diffuser 5C 50° Clear 5D 50° Diffuser 8C 80° Clear 8D 80° Diffuser	W White, Std. B Black V Silver <i>Custom: Specify RAL#</i>	<i>Nominal:</i> 24 36 48 60 72 84 96 (see Page 2) <i>Custom:</i> Cxxx (in inches, see Page 2)	W White, Std. B Black <i>Custom Color: Specify RAL#</i>	A Cable 48", Std. T Stem 24" <i>Custom Length: Specify A or T + inches</i>	R Round 5", Std. S Square 5"	W White, Std. B Black <i>Custom Color: Specify R or S + RAL#</i>

Product Code Example: PDC2-830600S-5DB-72W-ARB

Linear low profile direct pendant utilizing the latest high performance Multi-Cell LEDs configured in recessed integrated louvers creating a "Dark Light" effect with a UGR < 19.

Features

- Extremely low Universal Glare Rating meet stringent code requirements
- Continuous recessed louvers with Multi-Cell LEDs fill the entire fixture length creating uniform light distribution without glare
- Numerous beam angle, CCT and CRI options, plus louver color, offer vast design flexibility
- Ultra-efficient, high output chips deliver massive light at low power consumption
- Louvered Multi-Cell LEDs can be added in 6" increments
- High efficiency, low cost, dynamic Tunable White option

Fixture Specifications

- Housing/Trim: Heavy-duty extruded aluminum
- Finish: White (std), custom available
- Weight: Approx. 3.5 lbs. per linear foot
- UL Listed, (indoor non-condensing)
- LED specifications/photometry: Page 2

Electrical

- Power consumption: Per specification based on LED configuration
- Input Voltage: 120-277V universal driver
- Ambient temperature: -4 °F to 100 °F maximum
- Integral electronic drivers
- Integral wiring bus between fixture sections
- Drivers with full dimming range at any output choice
- Dimming: 0-10V 1% standard, contact factory for options

Mounting

- Round canopies (std), square available. Consult factory for special ceiling conditions
- Aircraft cable, (std) 48" with adjustable grip locks – field cuttable. Contact factory for longer lengths
- Stem option (24" std). Contact factory for longer lengths

Options (Consult factory)

- Occupancy sensor with integral photocell for night only operation
- Daylight harvesting dimming control
- EM battery pack. Delivers 1000+ total lumens for 90 mins (depending upon configuration). 4ft segments, (std). Specify segment length and location at time of order.

(1) 90 CRI, 2700K-6500K std., others available. Specify CCT range
 (2) 0-10V Control, std., others available – Specify (Factory to confirm)
 (3) Specify – Factory to confirm



STARFIRE LIGHTING, INC.
 7 Donna Drive, Wood-Ridge, NJ 07075
 starfirelighting.com

P 201.438.9540
 F 201.438.9541

All designs and drawings are the property of STARFIRE LIGHTING, INC. We reserve the right to make changes to specifications and approved designs at any time without notice to facilitate manufacturing methods to the extent that such changes do not compromise design integrity. All performance specifications are subject to +/- 10% deviation.

2" Multi-Cell LED Low Profile Direct Pendant with Louver

PDC2

Multi-Cell LED Technology

- Choice of standard lumen output levels: 200, 400, 600, 800, 1000, 1200 or specify custom (between 200 and 1500 Lm/Ft)*
- LED Efficiency: Up to 204 Lm/Wt at 80+ CRI
- Multi-chip LED per cell for uniform color and intensity
- Color Consistency: Equal or better than 3 SCDM
- L70: 50,000+ hours at Max. output
- 5 year limited warranty**

Overall Fixture Length

Nominal	Actual
24"	24.125"
36"	36.095"
48"	48.065"
60"	60.035"
72"	72.005"
84"	83.975"
96"	95.945"

Custom length increments of 6" without filler plates

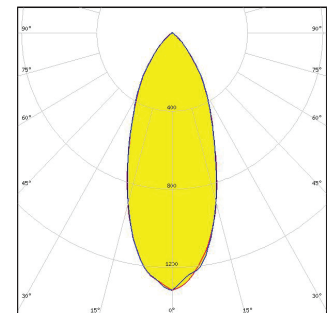
- Custom overall fixture length is available at any length including continuous runs
- Multi-Cell lighting modules available in custom lengths in 6" increments
- When lighting module length is less than overall length, filler plates will be provided at the ends

Fixture Efficacy

35° Beam, Clear Lens – White Louver

80 CRI	4000K		3500K		3000K		2700K (90 CRI)	
Lm/Ft	Wt/Ft	Lm/Wt	Wt/Ft	Lm/Wt	Wt/Ft	Lm/Wt	Wt/Ft	Lm/Wt
200	1.2	173.6	1.2	170.7	1.2	163.4	1.3	154.2
400	2.4	170.0	2.4	167.1	2.5	159.8	2.7	150.6
600	3.6	166.4	3.7	163.5	3.8	156.2	4.1	146.9
800	4.9	162.7	5.0	159.8	5.2	152.5	5.6	143.3
1000	6.3	159.1	6.4	156.2	6.7	148.9	7.2	139.7
1200	7.7	155.5	7.9	152.5	8.3	145.3	8.8	136.0

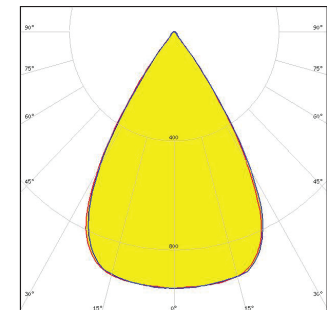
35° Beam



50° Beam, Clear Lens – White Louver

80 CRI	4000K		3500K		3000K		2700K (90 CRI)	
Lm/Ft	Wt/Ft	Lm/Wt	Wt/Ft	Lm/Wt	Wt/Ft	Lm/Wt	Wt/Ft	Lm/Wt
200	1.2	181.4	1.1	178.4	1.2	170.8	1.2	161.2
400	2.2	177.8	2.3	174.8	2.4	167.2	2.5	157.5
600	3.4	174.2	3.5	171.1	3.7	163.5	3.9	153.9
800	4.7	170.5	4.8	167.5	5.0	159.9	5.3	150.2
1000	6.0	166.9	6.1	163.8	6.4	156.2	6.8	146.6
1200	7.4	163.2	7.5	160.2	7.9	152.6	8.4	143.0

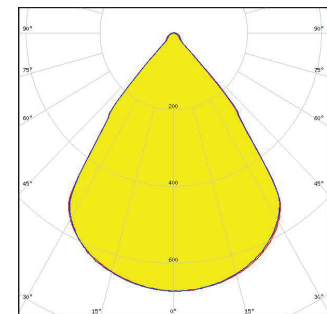
50° Beam



80° Beam, Clear Lens – White Louver

80 CRI	4000K		3500K		3000K		2700K (90 CRI)	
Lm/Ft	Wt/Ft	Lm/Wt	Wt/Ft	Lm/Wt	Wt/Ft	Lm/Wt	Wt/Ft	Lm/Wt
200	1.1	181.4	1.1	178.4	1.2	170.8	1.2	161.2
400	2.2	177.8	2.3	174.8	2.4	167.2	2.5	157.5
600	3.4	174.2	3.5	171.1	3.7	163.5	3.9	153.9
800	4.7	170.5	4.8	167.5	5.0	159.9	5.3	150.2
1000	6.0	166.9	6.1	163.8	6.4	156.2	6.8	146.6
1200	7.4	163.2	7.5	160.2	7.9	152.6	8.4	143.0

80° Beam



* Depending upon configuration, consult factory

** See Starfire website for Product Limited Warranty



STARFIRE LIGHTING, INC.
7 Donna Drive, Wood-Ridge, NJ 07075
starfirelighting.com

P 201.438.9540
F 201.438.9541

All designs and drawings are the property of STARFIRE LIGHTING, INC. We reserve the right to make changes to specifications and approved designs at any time without notice to facilitate manufacturing methods to the extent that such changes do not compromise design integrity. All performance specifications are subject to +/- 10% deviation.